

MXI

Mixed Flow Inline Fan

TECHNICAL SPECIFICATIONS



PENNBARRY™

BULLETIN MXI_21

TABLE OF CONTENTS

INTRODUCTION	3
CERTIFICATIONS & LISTINGS	4
DIMENSIONAL DATA-ARRANGEMENT 4	5
DIMENSIONAL DATA-ARRANGEMENT 9	6
AIR PERFORMANCE	7-22
SOUND PERFORMANCE	23-53

INTRODUCTION

MXI

The PennBarry™ MXI Inline fan utilizes a highly efficient mixed flow wheel suitable for supply, exhaust, or return air applications. Its compact and lightweight design combines the high volume advantage of axial fans with the low sound and higher efficiency of centrifugal fans, and, through its versatility, it even surpasses the efficiency of traditional axial and centrifugal fan technology. Moreover, the outstanding air and sound performance of this fan sets it apart from the competition. Using the most advanced Computational Fluid Dynamics (CFD) software, PennBarry™ designed the MXI wheel to be the best in class for static efficiency among all mixed flow inline fans. With the MXI fan, PennBarry™ brings its innovation to market and sets a new standard for performance by having the most efficient mixed flow fan in the industry.



Arrangement 9



Arrangement 4

CERTIFICATIONS & LISTINGS



AMCA Certification

PennBarry certifies that the MXI models shown herein are licensed to bear the AMCA seal. The ratings shown are based on tests and procedures performed in accordance with AMCA publication 211 and AMCA publication 311 and comply with the requirements of the AMCA Certified Ratings Program.



cULus and UL Certification

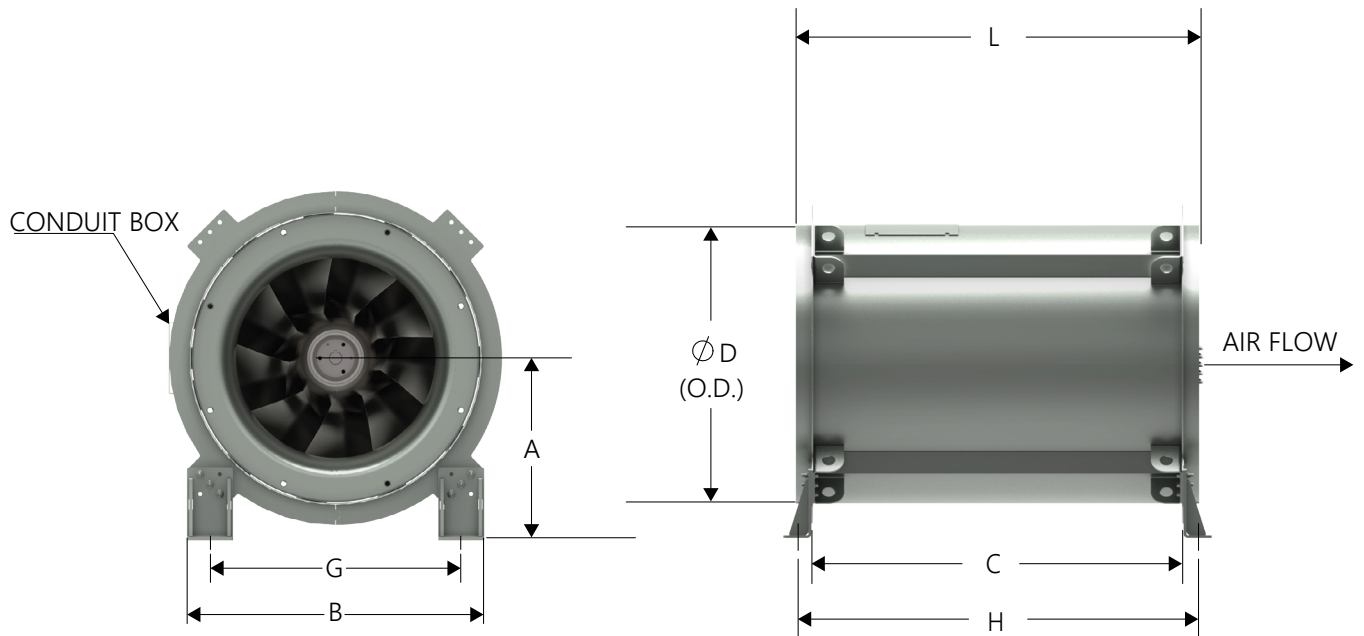
MXI carries the UL label, 705 Power Ventilators (ZACT, ZACT7): File #E28413

MXI with UL762 application option carries the UL762 Power Ventilators for Restaurant Exhaust label, UL762 (YZHW/ YZHW7), file #MH10684.



MXI with Heat and Smoke application option carries the UL Power Ventilators for Smoke Control Systems label, UL793 (ZAXH/ZAXH7), file #MH19473

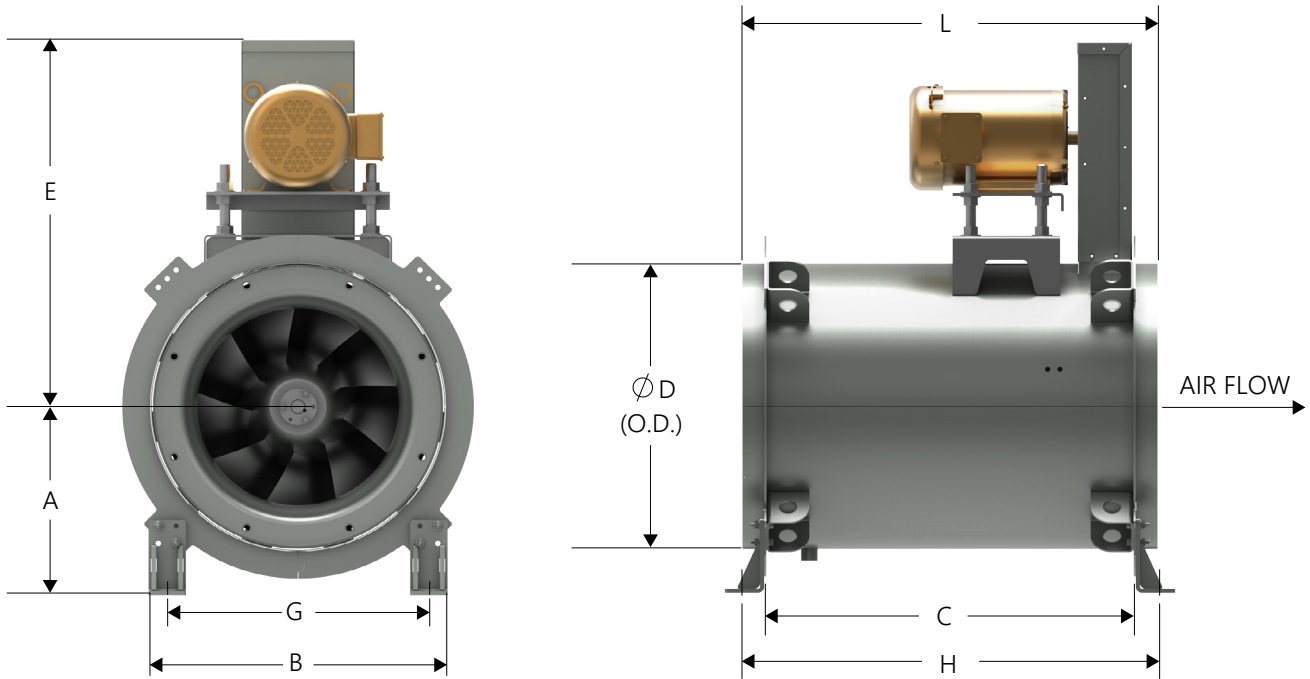
DIMENSIONAL DATA-ARRANGEMENT 4



Size	A	B	C	D	G	H	L
122	12 11/16	20 13/16	21 1/8	17 7/8	16 13/16	25 1/4	25 1/8
135	14	22 1/8	23 13/16	19 3/4	18 1/8	27 15/16	27 13/16
150	14 3/4	23 11/16	26 7/8	21 7/8	19 11/16	31 1/16	30 7/8
165	15 5/16	24 3/4	30	23 3/8	20 3/4	34 1/8	33 15/16
182	16 3/16	26 1/2	33 1/2	25 13/16	22 1/2	37 5/8	37 7/16
200	17 1/16	28 5/16	37 3/16	28 3/8	24 5/16	41 5/16	41 3/16
222	19 5/8	32 1/8	41 3/4	31 7/16	27 1/8	45 7/8	45 11/16
245	20 7/8	34 3/8	46 7/16	34 11/16	29 3/8	52 1/16	50 7/16
270	22 1/8	36 15/16	51 7/16	38 3/16	31 15/16	57 1/4	55 9/16
300	24 3/4	40 5/8	57 5/8	42 7/16	35 5/8	63 7/16	61 3/4
330	26 1/4	43 5/8	63 7/8	46 5/8	38 5/8	69 5/8	68
365	29	47 5/8	71 3/16	51 9/16	42 1/8	77 1/16	75 1/8
402	31 7/8	51 5/16	78 3/4	56 3/4	45 13/16	84 11/16	82 3/4
445	34 3/8	56 5/16	87 5/8	62 13/16	50 13/16	93 1/2	91 5/8
490	38 1/2	63 3/4	96 7/8	69 1/8	56 1/4	104 1/4	100 7/8
542	41 7/16	69 5/8	107 5/8	76 7/16	62 1/8	115	111 9/16
600	46 1/2	76 3/16	119 9/16	84 9/16	67 3/16	126 15/16	123 1/2

All dimensions are in inches

DIMENSIONAL DATA-ARRANGEMENT 9



Size	A	B	C	D	E	G	H	L
122	12 11/16	20 13/16	21 1/2	17 7/8	25 1-16	16 13/16	25 1/4	25 1/8
135	14	22 1/8	24 3/16	19 3/4	26 3/4	18 1/8	28	27 13/16
150	14 3/4	23 11/16	27 1/4	21 7/8	28 3/16	19 11/16	31 1/16	30 7/8
165	15 5/16	24 3/4	30 3/8	23 3/8	29 13/16	20 3/4	34 1/8	33 15/16
182	16 3/16	26 1/2	33 7/8	25 13/16	31 13/16	22 1/2	37 5/8	37 7/16
200	17 1/16	28 5/16	37 9/16	28 3/8	33 11/16	24 5/16	41 5/16	41 3/16
222	19 5/8	32 1/8	42 1/16	31 7/16	35 5/8	27 1/8	45 7/8	45 11/16
245	20 7/8	34 7/16	46 13/16	34 11/16	38 7/8	29 7/16	52 1/16	50 7/16
270	22 1/8	36 15/16	51 15/16	38 3/16	41 3/8	31 15/16	57 1/4	55 9/16
300	24 3/4	40 5/8	58 1/8	42 7/16	43 13/16	35 5/8	63 7/16	61 3/4
330	26 1/4	43 5/8	64 3/8	46 5/8	46 5/8	38 5/8	69 5/8	68
365	29	47 5/8	71 1/2	51 9/16	52 3/16	42 1/8	77 1/16	75 1/8
402	31 7/8	51 1/8	79 1/8	56 3/4	55 13/16	45 13/16	84 11/16	82 3/4
445	34 5/16	55 5/16	88	62 13/16	59 9/16	50 13/16	93 1/2	91 5/8
490	38 1/2	63 3/4	97 1/4	69 1/8	62 3/4	56 1/4	104 1/4	100 7/8
542	41 7/16	69 5/8	107 15/16	76 7/16	67 3/8	62 1/8	115	111 9/16
600	46 1/2	76 3/8	119 7/8	84 9/16	71 7/16	67 3/16	126 15/16	123 1/2

All dimensions are in inches

MXI 122 AIR PERFORMANCE

MAX RPM	
LEVEL 1	3024
LEVEL 2	4050

CFM	OV	0.5"SP		1"SP		2"SP		3"SP		4"SP		5"SP		6"SP		7"SP		8"SP	
		RPM	BHP	RPM	BHP	RPM	BHP	RPM	BHP	RPM	BHP	RPM	BHP	RPM	BHP	RPM	BHP	RPM	BHP
800	471	1011	0.11	-	-	-	-	-	-	-	-	-	-	-	-	-	-	-	-
1040	613	1077	0.14	1425	0.30	-	-	-	-	-	-	-	-	-	-	-	-	-	-
1280	754	1170	0.17	1469	0.34	-	-	-	-	-	-	-	-	-	-	-	-	-	-
1520	896	1275	0.21	1541	0.40	2018	0.85	-	-	-	-	-	-	-	-	-	-	-	-
1760	1037	1386	0.27	1635	0.47	2063	0.93	2467	1.53	-	-	-	-	-	-	-	-	-	-
2000	1178	1501	0.33	1735	0.55	2131	1.04	2483	1.60	-	-	-	-	-	-	-	-	-	-
2240	1320	1630	0.41	1844	0.64	2214	1.17	2550	1.76	2859	2.43	-	-	-	-	-	-	-	-
2480	1461	1768	0.52	1956	0.75	2309	1.31	2619	1.94	2915	2.62	3196	3.39	3488	4.32	-	-	-	-
2720	1603	1907	0.63	2070	0.88	2406	1.47	2703	2.13	2983	2.85	3244	3.60	3501	4.45	3769	5.46	-	-
2960	1744	2048	0.77	2188	1.02	2513	1.65	2797	2.34	3052	3.09	3312	3.88	3548	4.70	3782	5.62	4033	6.72
3200	1885	2191	0.93	2324	1.20	2623	1.85	2893	2.57	3144	3.35	3380	4.17	3616	5.04	3833	5.93	4046	6.90
3440	2027	2335	1.12	2461	1.40	2734	2.06	2995	2.82	3238	3.63	3462	4.49	3684	5.39	3901	6.32	-	-
3680	2168	2479	1.33	2600	1.62	2848	2.30	3103	3.09	3334	3.94	3555	4.83	3758	5.76	3969	6.73	-	-
3920	2310	2625	1.56	2740	1.88	2963	2.56	3213	3.39	3435	4.27	3650	5.19	3851	6.15	4039	7.16	-	-
4160	2451	2772	1.83	2881	2.16	3081	2.85	3324	3.71	3542	4.62	3746	5.58	3945	6.58	-	-	-	-
4400	2593	2919	2.12	3023	2.47	3215	3.19	3437	4.06	3651	5.00	3848	5.99	4041	7.03	-	-	-	-
4640	2734	3066	2.44	3167	2.81	3351	3.56	3552	4.44	3762	5.42	3956	6.44	-	-	-	-	-	-
4880	2875	3214	2.80	3311	3.19	3489	3.98	3667	4.84	3874	5.86	-	-	-	-	-	-	-	-
5120	3017	3363	3.20	3455	3.60	3628	4.42	3786	5.27	3987	6.33	-	-	-	-	-	-	-	-
5360	3158	3512	3.63	3601	4.05	3767	4.90	3921	5.79	-	-	-	-	-	-	-	-	-	-
5600	3300	3661	4.10	3747	4.54	3908	5.43	-	-	-	-	-	-	-	-	-	-	-	-
5840	3441	3811	4.61	3893	5.06	4049	5.99	-	-	-	-	-	-	-	-	-	-	-	-
6160	3630	4010	5.35	-	-	-	-	-	-	-	-	-	-	-	-	-	-	-	-

Performance certified is for installation type B – Free inlet, Ducted outlet. Power rating (BHP) does not include transmission losses. Performance ratings do not include the effects of appurtenances.

MXI 135 AIR PERFORMANCE

MAX RPM	
LEVEL 1	2733
LEVEL 2	3498

CFM	OV	0.5"SP		1"SP		1.5"SP		2"SP		3"SP		4"SP		5"SP		6"SP		7.25"SP	
		RPM	BHP	RPM	BHP	RPM	BHP	RPM	BHP	RPM	BHP	RPM	BHP	RPM	BHP	RPM	BHP	RPM	BHP
1350	650	1002	0.18	1297	0.37	-	-	-	-	-	-	-	-	-	-	-	-	-	-
1615	777	1080	0.22	1345	0.42	1587	0.67	-	-	-	-	-	-	-	-	-	-	-	-
1880	905	1168	0.27	1408	0.49	1627	0.74	1833	1.04	-	-	-	-	-	-	-	-	-	-
2145	1033	1260	0.33	1486	0.57	1684	0.84	1873	1.13	2238	1.86	-	-	-	-	-	-	-	-
2410	1160	1355	0.40	1568	0.66	1756	0.95	1930	1.26	2249	1.93	-	-	-	-	-	-	-	-
2675	1288	1460	0.49	1658	0.76	1834	1.07	1996	1.40	2305	2.11	2593	2.94	-	-	-	-	-	-
2940	1415	1573	0.59	1749	0.88	1917	1.20	2074	1.55	2361	2.30	2630	3.12	2897	4.08	-	-	-	-
3205	1543	1688	0.72	1843	1.01	2006	1.36	2153	1.72	2424	2.51	2686	3.36	2923	4.26	3173	5.35	-	-
3470	1670	1803	0.86	1939	1.16	2097	1.52	2238	1.91	2501	2.73	2742	3.62	2979	4.56	3194	5.55	3485	7.07
3735	1798	1921	1.03	2044	1.34	2190	1.71	2328	2.11	2580	2.98	2809	3.90	3035	4.88	3249	5.91	3496	7.25
4000	1926	2039	1.22	2157	1.54	2284	1.92	2419	2.34	2659	3.23	2886	4.20	3092	5.22	3305	6.28	-	-
4265	2053	2158	1.43	2271	1.78	2380	2.14	2512	2.59	2747	3.52	2964	4.52	3167	5.58	3362	6.68	-	-
4530	2181	2277	1.67	2385	2.03	2485	2.41	2606	2.86	2836	3.83	3044	4.86	3244	5.95	3428	7.09	-	-
4795	2308	2398	1.93	2501	2.31	2597	2.71	2701	3.15	2927	4.16	3128	5.23	3322	6.36	-	-	-	-
5060	2436	2518	2.22	2618	2.63	2711	3.04	2798	3.46	3019	4.52	3217	5.63	3402	6.79	-	-	-	-
5325	2563	2640	2.55	2735	2.97	2825	3.40	2909	3.84	3112	4.90	3307	6.05	3485	7.24	-	-	-	-
5590	2691	2761	2.90	2853	3.34	2940	3.80	3022	4.26	3206	5.31	3398	6.50	-	-	-	-	-	-
5855	2818	2884	3.29	2972	3.75	3056	4.22	3135	4.70	3302	5.75	3490	6.98	-	-	-	-	-	-
6120	2946	3006	3.72	3091	4.20	3172	4.68	3249	5.18	3398	6.22	-	-	-	-	-	-	-	-
6385	3074	3129	4.18	3211	4.68	3289	5.18	3364	5.70	-	-	-	-	-	-	-	-	-	-
6650	3201	3252	4.68	3331	5.19	3407	5.72	3480	6.26	-	-	-	-	-	-	-	-	-	-
6915	3329	3375	5.21	3452	5.75	-	-	-	-	-	-	-	-	-	-	-	-	-	-
7180	3456	3498	5.79	3573	-	-	-	-	-	-	-	-	-	-	-	-	-	-	-

Performance certified is for installation type B – Free inlet, Ducted outlet. Power rating (BHP) does not include transmission losses. Performance ratings do not include the effects of appurtenances.

MXI 150 AIR PERFORMANCE

MAX RPM	
LEVEL 1	2460
LEVEL 2	3230

CFM	OV	0.5"SP		1"SP		2"SP		3"SP		4"SP		5"SP		6"SP		7"SP		7.5"SP	
		RPM	BHP	RPM	BHP	RPM	BHP	RPM	BHP	RPM	BHP	RPM	BHP	RPM	BHP	RPM	BHP	RPM	BHP
1400	546	855	0.18	-	-	-	-	-	-	-	-	-	-	-	-	-	-	-	-
1750	683	919	0.23	1174	0.47	-	-	-	-	-	-	-	-	-	-	-	-	-	-
2100	819	997	0.29	1227	0.55	-	-	-	-	-	-	-	-	-	-	-	-	-	-
2450	956	1084	0.36	1295	0.64	1656	1.31	-	-	-	-	-	-	-	-	-	-	-	-
2800	1092	1174	0.44	1371	0.75	1709	1.47	2019	2.34	-	-	-	-	-	-	-	-	-	-
3150	1229	1267	0.54	1454	0.88	1765	1.64	2051	2.50	2329	3.56	-	-	-	-	-	-	-	-
3500	1365	1375	0.68	1542	1.03	1839	1.84	2105	2.75	2347	3.73	2603	4.97	-	-	-	-	-	-
3850	1502	1485	0.83	1631	1.19	1914	2.05	2160	3.01	2401	4.05	2615	5.15	2852	6.54	-	-	-	-
4200	1638	1596	1.02	1723	1.38	1994	2.29	2233	3.30	2455	4.39	2668	5.54	2863	6.75	3082	8.27	-	-
4550	1775	1709	1.23	1821	1.60	2080	2.56	2308	3.61	2516	4.75	2722	5.95	2915	7.21	3093	8.51	3196	9.32
4900	1911	1822	1.47	1929	1.87	2168	2.86	2385	3.96	2589	5.14	2777	6.39	2969	7.70	3146	9.06	3230	9.75
5250	2048	1937	1.75	2039	2.18	2257	3.18	2468	4.33	2665	5.56	2847	6.86	3023	8.22	3200	9.63	-	-
5600	2184	2052	2.07	2149	2.51	2347	3.53	2554	4.74	2741	6.01	2921	7.36	3087	8.77	-	-	-	-
5950	2321	2168	2.42	2261	2.89	2439	3.92	2642	5.18	2823	6.50	2997	7.90	3161	9.36	-	-	-	-
6300	2457	2284	2.81	2373	3.31	2534	4.35	2731	5.66	2908	7.03	3073	8.47	-	-	-	-	-	-
6650	2594	2401	3.24	2486	3.77	2642	4.86	2821	6.17	2995	7.59	3155	9.08	-	-	-	-	-	-
7000	2730	2518	3.72	2600	4.28	2750	5.41	2912	6.72	3083	8.20	-	-	-	-	-	-	-	-
7350	2867	2636	4.25	2715	4.83	2860	6.02	3004	7.31	3172	8.84	-	-	-	-	-	-	-	-
7700	3003	2754	4.83	2830	5.44	2970	6.68	3099	7.96	-	-	-	-	-	-	-	-	-	-
8050	3140	2872	5.46	2945	6.09	3081	7.38	3206	8.71	-	-	-	-	-	-	-	-	-	-
8400	3276	2991	6.15	3061	6.81	3192	8.14	-	-	-	-	-	-	-	-	-	-	-	-
8750	3413	3110	6.90	3177	7.57	-	-	-	-	-	-	-	-	-	-	-	-	-	-
9100	3549	3229	7.70	-	-	-	-	-	-	-	-	-	-	-	-	-	-	-	-

Performance certified is for installation type B – Free inlet, Ducted outlet. Power rating (BHP) does not include transmission losses. Performance ratings do not include the effects of appurtenances.

MXI 165 AIR PERFORMANCE

MAX RPM	
LEVEL 1	2220
LEVEL 2	2813

CFM	OV	0.5"SP		1"SP		1.5"SP		2"SP		3"SP		4"SP		5"SP		6"SP		7.5"SP	
		RPM	BHP	RPM	BHP	RPM	BHP	RPM	BHP	RPM	BHP	RPM	BHP	RPM	BHP	RPM	BHP	RPM	BHP
2150	700	805	0.23	1027	0.48	-	-	-	-	-	-	-	-	-	-	-	-	-	-
2520	821	865	0.29	1066	0.54	-	-	-	-	-	-	-	-	-	-	-	-	-	-
2890	941	928	0.35	1117	0.63	1283	0.95	-	-	-	-	-	-	-	-	-	-	-	-
3260	1062	1006	0.43	1172	0.72	1329	1.05	1474	1.43	-	-	-	-	-	-	-	-	-	-
3630	1182	1085	0.53	1234	0.83	1381	1.18	1516	1.57	1771	2.46	-	-	-	-	-	-	-	-
4000	1303	1166	0.65	1297	0.96	1437	1.32	1567	1.73	1806	2.63	-	-	-	-	-	-	-	-
4370	1423	1249	0.78	1372	1.11	1498	1.49	1620	1.91	1846	2.83	2062	3.90	-	-	-	-	-	-
4740	1544	1335	0.94	1450	1.29	1561	1.67	1679	2.11	1897	3.06	2097	4.13	2291	5.34	-	-	-	-
5110	1664	1421	1.11	1530	1.49	1630	1.88	1741	2.33	1949	3.32	2141	4.41	2326	5.62	-	-	-	-
5480	1785	1509	1.31	1611	1.71	1707	2.13	1804	2.58	2003	3.60	2192	4.73	2362	5.92	2537	7.28	-	-
5850	1906	1597	1.53	1693	1.97	1786	2.40	1871	2.86	2064	3.91	2244	5.07	2412	6.30	2573	7.64	2810	9.86
6220	2026	1686	1.79	1775	2.24	1865	2.70	1948	3.18	2126	4.25	2296	5.42	2463	6.70	2617	8.05	-	-
6590	2147	1775	2.06	1861	2.54	1946	3.03	2027	3.53	2188	4.61	2356	5.83	2515	7.13	2667	8.51	-	-
6960	2267	1865	2.38	1947	2.88	2027	3.39	2106	3.92	2252	5.01	2417	6.27	2568	7.59	2719	9.02	-	-
7330	2388	1955	2.72	2034	3.24	2110	3.79	2186	4.33	2326	5.46	2479	6.73	2628	8.10	2771	9.54	-	-
7700	2508	2045	3.09	2122	3.65	2193	4.21	2267	4.78	2404	5.96	2542	7.23	2689	8.64	-	-	-	-
8070	2629	2136	3.50	2210	4.08	2279	4.67	2348	5.27	2482	6.49	2606	7.76	2751	9.21	-	-	-	-
8440	2749	2227	3.95	2298	4.55	2365	5.17	2431	5.80	2561	7.06	2681	8.36	2813	9.81	-	-	-	-
8810	2870	2319	4.44	2387	5.06	2452	5.71	2514	6.36	2641	7.67	2758	9.01	-	-	-	-	-	-
9180	2990	2410	4.96	2476	5.62	2539	6.28	2599	6.96	2721	8.32	-	-	-	-	-	-	-	-
9550	3111	2502	5.54	2566	6.21	2627	6.90	2685	7.60	2803	9.02	-	-	-	-	-	-	-	-
9920	3231	2594	6.15	2656	6.85	2715	7.56	2772	8.29	-	-	-	-	-	-	-	-	-	-
10660	3472	2778	7.51	-	-	-	-	-	-	-	-	-	-	-	-	-	-	-	-

Performance certified is for installation type B – Free inlet, Ducted outlet. Power rating (BHP) does not include transmission losses. Performance ratings do not include the effects of appurtenances.

MXI 600 AIR PERFORMANCE

MAX RPM	
LEVEL 1	500
LEVEL 2	640

CFM	OV	0.5"SP		1"SP		1.25"SP		1.5"SP		1.75"SP		2"SP		3"SP		4"SP		5.125"SP	
		RPM	BHP	RPM	BHP	RPM	BHP	RPM	BHP	RPM	BHP	RPM	BHP	RPM	BHP	RPM	BHP	RPM	BHP
30000	774	226	3.28	286	6.64	-	-	-	-	-	-	-	-	-	-	-	-	-	-
33800	872	239	3.84	294	7.26	320	9.31	-	-	-	-	-	-	-	-	-	-	-	-
37600	970	253	4.51	305	8.09	329	10.17	352	12.40	374	14.78	-	-	-	-	-	-	-	-
41400	1068	269	5.31	317	9.07	340	11.21	361	13.43	381	15.75	402	18.40	-	-	-	-	-	-
45200	1166	286	6.26	330	10.16	351	12.32	371	14.56	391	17.07	410	19.66	-	-	-	-	-	-
49000	1264	303	7.32	343	11.33	363	13.55	383	16.01	402	18.53	420	21.15	489	33.03	-	-	-	-
52800	1363	320	8.49	356	12.58	376	14.97	395	17.49	413	20.07	431	22.83	496	34.68	-	-	-	-
56600	1461	338	9.88	372	14.16	390	16.60	408	19.16	425	21.80	442	24.60	504	36.57	565	50.95	-	-
60400	1559	356	11.38	389	15.95	404	18.33	421	20.93	438	23.73	454	26.57	515	38.99	572	53.14	-	-
64200	1657	374	13.01	406	17.89	420	20.31	435	22.97	451	25.77	467	28.77	526	41.51	580	55.68	639	73.72
68000	1755	393	14.90	423	19.99	437	22.58	450	25.17	465	28.11	480	31.09	537	44.13	590	58.64	-	-
71800	1853	412	16.98	440	22.25	454	25.01	467	27.78	479	30.52	494	33.73	549	47.11	601	61.94	-	-
75600	1951	430	19.11	457	24.68	471	27.62	483	30.38	495	33.28	507	36.31	562	50.31	612	65.36	-	-
79400	2049	449	21.57	475	27.46	488	30.42	500	33.34	512	36.42	523	39.42	575	53.66	623	68.90	-	-
83200	2147	468	24.23	493	30.42	505	33.40	517	36.50	529	39.75	540	42.92	588	57.15	635	72.88	-	-
87000	2245	487	27.11	511	33.50	523	36.79	534	39.85	546	43.29	557	46.63	601	60.80	-	-	-	-
90800	2343	507	30.39	530	37.01	540	40.18	552	43.65	563	47.03	574	50.55	615	64.91	-	-	-	-
94600	2441	526	33.75	548	40.54	559	44.16	569	47.44	580	51.00	591	54.70	630	69.34	-	-	-	-
98400	2539	545	37.34	567	44.53	577	48.10	587	51.71	598	55.46	608	59.07	-	-	-	-	-	-
102200	2637	564	41.19	585	48.54	595	52.29	605	56.17	615	59.90	625	63.68	-	-	-	-	-	-
106000	2735	584	45.54	604	53.05	614	57.00	623	60.79	633	64.88	-	-	-	-	-	-	-	-
109800	2833	603	49.94	623	57.84	632	61.70	-	-	-	-	-	-	-	-	-	-	-	-
113600	2932	623	54.88	-	-	-	-	-	-	-	-	-	-	-	-	-	-	-	-

Performance certified is for installation type B – Free inlet, Ducted outlet. Power rating (BHP) does not include transmission losses. Performance ratings do not include the effects of appurtenances.

MXI 222-AF AIR PERFORMANCE

MAX RPM	
LEVEL 2	2150

CFM	OV	0.5"SP		1"SP		2"SP		3"SP		4"SP		5"SP		6"SP		7"SP		7.35"SP	
		RPM	BHP	RPM	BHP	RPM	BHP	RPM	BHP	RPM	BHP	RPM	BHP	RPM	BHP	RPM	BHP	RPM	BHP
3250	613	601	0.42	796	0.90	-	-	-	-	-	-	-	-	-	-	-	-	-	-
3725	702	632	0.49	808	0.99	-	-	-	-	-	-	-	-	-	-	-	-	-	-
4200	792	667	0.57	828	1.09	1118	2.41	-	-	-	-	-	-	-	-	-	-	-	-
4675	881	705	0.67	855	1.20	1128	2.58	-	-	-	-	-	-	-	-	-	-	-	-
5150	971	751	0.79	885	1.34	1140	2.75	1370	4.44	-	-	-	-	-	-	-	-	-	-
5625	1060	798	0.93	920	1.50	1153	2.92	1379	4.68	-	-	-	-	-	-	-	-	-	-
6100	1150	845	1.08	956	1.68	1180	3.15	1391	4.94	1583	6.95	-	-	-	-	-	-	-	-
6575	1239	893	1.26	994	1.89	1207	3.39	1402	5.18	1594	7.26	1769	9.46	-	-	-	-	-	-
7050	1329	942	1.46	1039	2.11	1235	3.64	1421	5.48	1606	7.60	1775	9.89	1940	12.23	-	-	-	-
7525	1418	993	1.68	1086	2.38	1270	3.96	1448	5.82	1618	7.94	1787	10.31	1940	12.81	-	-	-	-
8000	1508	1045	1.94	1132	2.65	1305	4.29	1475	6.18	1633	8.30	1798	10.71	1952	13.31	2092	15.99	2145	16.92
8475	1597	1097	2.22	1180	2.96	1341	4.65	1503	6.56	1660	8.75	1810	11.15	1963	13.79	2104	16.56	-	-
8950	1687	1149	2.53	1228	3.30	1377	5.03	1536	7.00	1687	9.22	1826	11.61	1975	14.30	2115	17.12	-	-
9425	1776	1202	2.88	1276	3.66	1418	5.45	1570	7.47	1715	9.72	1853	12.17	1986	14.80	2127	17.71	-	-
9900	1866	1255	3.25	1325	4.06	1463	5.91	1606	7.99	1742	10.22	1880	12.75	2006	15.40	2139	18.31	-	-
10850	2045	1361	4.10	1427	4.98	1556	6.95	1678	9.10	1811	11.47	1935	13.99	2060	16.78	-	-	-	-
11800	2224	1469	5.11	1531	6.06	1650	8.13	1761	10.38	1882	12.85	2000	15.45	2115	18.26	-	-	-	-
12750	2403	1577	6.28	1635	7.29	1746	9.46	1853	11.86	1954	14.36	2071	17.14	-	-	-	-	-	-
13700	2582	1686	7.62	1741	8.71	1843	10.96	1946	13.50	2040	16.12	2142	18.94	-	-	-	-	-	-
14650	2761	1795	9.15	1847	10.31	1943	12.67	2041	15.33	2132	18.09	-	-	-	-	-	-	-	-
15600	2940	1905	10.89	1954	12.12	2046	14.63	2137	17.35	-	-	-	-	-	-	-	-	-	-
16550	3119	2015	12.85	2062	14.15	2150	16.80	-	-	-	-	-	-	-	-	-	-	-	-
17500	3298	2125	15.02	-	-	-	-	-	-	-	-	-	-	-	-	-	-	-	-

Performance certified is for installation type B – Free inlet, Ducted outlet. Power rating (BHP) does not include transmission losses. Performance ratings do not include the effects of appurtenances.

MXI 245-AF AIR PERFORMANCE

MAX RPM	
LEVEL 2	1950

CFM	OV	0.5"SP		1"SP		2"SP		3"SP		4"SP		5"SP		6"SP		7"SP		7.375"SP	
		RPM	BHP	RPM	BHP	RPM	BHP	RPM	BHP	RPM	BHP	RPM	BHP	RPM	BHP	RPM	BHP	RPM	BHP
2600	402	508	0.37	-	-	-	-	-	-	-	-	-	-	-	-	-	-	-	-
3175	491	518	0.42	-	-	-	-	-	-	-	-	-	-	-	-	-	-	-	-
3750	580	538	0.48	720	1.06	-	-	-	-	-	-	-	-	-	-	-	-	-	-
4325	669	564	0.56	730	1.16	-	-	-	-	-	-	-	-	-	-	-	-	-	-
4900	758	595	0.66	744	1.27	-	-	-	-	-	-	-	-	-	-	-	-	-	-
5475	847	628	0.77	768	1.41	1021	3.06	-	-	-	-	-	-	-	-	-	-	-	-
6050	936	668	0.91	793	1.56	1031	3.26	1246	5.25	-	-	-	-	-	-	-	-	-	-
6625	1025	710	1.07	825	1.76	1042	3.47	1249	5.58	-	-	-	-	-	-	-	-	-	-
7200	1114	753	1.25	857	1.96	1063	3.72	1259	5.87	1436	8.26	-	-	-	-	-	-	-	-
7775	1203	796	1.45	890	2.20	1088	4.01	1270	6.18	1444	8.67	-	-	-	-	-	-	-	-
8350	1292	840	1.68	930	2.47	1113	4.31	1282	6.50	1455	9.08	1609	11.84	-	-	-	-	-	-
8925	1381	886	1.94	971	2.76	1142	4.66	1307	6.92	1465	9.47	1619	12.32	1759	15.34	-	-	-	-
9500	1470	933	2.24	1014	3.10	1174	5.06	1331	7.34	1476	9.90	1630	12.83	1769	15.93	1901	19.13	1950	20.19
10650	1648	1027	2.94	1100	3.85	1239	5.93	1383	8.28	1524	10.99	1651	13.86	1790	17.13	1917	20.51	-	-
11800	1826	1122	3.77	1188	4.75	1314	6.96	1447	9.46	1573	12.17	1699	15.22	1813	18.38	1938	21.92	-	-
12950	2004	1219	4.78	1279	5.82	1398	8.19	1512	10.78	1633	13.62	1748	16.67	1862	20.03	-	-	-	-
14100	2182	1316	5.96	1373	7.09	1483	9.58	1584	12.28	1697	15.26	1805	18.39	1912	21.81	-	-	-	-
15250	2360	1414	7.33	1468	8.56	1570	11.17	1667	14.03	1763	17.08	1869	20.39	-	-	-	-	-	-
16400	2538	1513	8.93	1563	10.22	1658	12.95	1752	15.99	1838	19.15	1934	22.57	-	-	-	-	-	-
17550	2716	1612	10.74	1660	12.13	1748	14.97	1837	18.14	1921	21.48	-	-	-	-	-	-	-	-
18700	2894	1711	12.79	1756	14.25	1841	17.28	1924	20.55	-	-	-	-	-	-	-	-	-	-
19850	3072	1811	15.11	1854	16.66	1934	19.83	-	-	-	-	-	-	-	-	-	-	-	-
21000	3250	1911	17.69	-	-	-	-	-	-	-	-	-	-	-	-	-	-	-	-

Performance certified is for installation type B – Free inlet, Ducted outlet. Power rating (BHP) does not include transmission losses. Performance ratings do not include the effects of appurtenances.

MXI 122 SOUND PERFORMANCE

RPM	"Nom-inal Ps"	INLET SOUND POWER BY OCTAVE BANDS dB Lwi								LwiA
		63	125	250	500	1000	2000	4000	8000	
1000	0.00	61	63	65	67	66	60	50	40	69
	0.13	61	63	65	66	65	59	50	40	69
	0.25	61	63	64	65	64	59	50	39	68
	0.38	61	62	63	64	63	59	50	39	67
1500	0.00	71	69	74	74	78	73	65	55	80
	0.50	71	69	73	73	75	72	65	54	79
	0.75	71	69	73	72	73	71	65	54	77
	1.00	81	76	74	73	70	70	65	55	76
2000	0.00	77	76	80	80	82	81	75	65	87
	0.50	77	76	80	80	81	80	74	65	86
	1.00	77	76	79	79	80	79	74	65	85
	1.90	99	94	84	82	78	75	73	65	85
2500	0.00	82	81	82	85	86	88	82	74	92
	0.50	82	81	81	85	86	87	82	74	91
	1.50	82	81	81	84	84	85	81	73	90
	3.00	105	103	94	88	84	80	79	73	93
3000	0.00	86	86	84	89	89	93	88	80	97
	1.50	86	86	84	88	88	91	87	80	95
	2.50	86	86	84	88	88	90	87	80	94
	4.25	106	106	98	91	90	84	84	80	97
3525	0.00	89	89	88	93	93	95	93	86	100
	2.00	89	89	88	92	92	94	92	85	99
	4.00	89	89	88	91	91	92	91	85	98
	6.00	114	114	107	97	94	88	87	84	103
4050	0.00	92	92	91	96	96	98	97	90	103
	2.75	92	92	91	95	95	96	95	90	102
	5.50	92	92	91	94	94	94	94	89	100
	8.00	118	118	113	101	98	93	90	88	108

RPM	"Nom-inal Ps"	OUTLET SOUND POWER BY OCTAVE BANDS dB Lwo								LwoA
		63	125	250	500	1000	2000	4000	8000	
1000	0.00	71	70	66	68	67	60	50	40	70
	0.13	71	69	65	67	66	59	50	40	69
	0.25	71	68	64	66	64	58	49	40	68
	0.38	70	66	63	64	63	58	50	40	66
1500	0.00	81	79	72	76	78	74	64	55	81
	0.50	84	76	71	73	75	71	64	54	78
	0.75	85	75	71	72	73	70	64	55	77
	1.00	86	76	71	72	72	69	64	55	76
2000	0.00	87	86	81	81	83	82	75	65	87
	0.50	88	86	80	80	82	81	74	65	86
	1.00	90	86	80	79	81	79	73	65	85
	1.90	92	86	79	78	78	77	72	65	83
2500	0.00	92	91	88	87	88	88	83	73	93
	0.50	93	92	88	86	87	87	82	73	92
	1.50	94	93	86	84	85	85	81	72	91
	3.00	97	94	85	83	83	82	79	73	89
3000	0.00	96	96	94	91	91	93	89	79	98
	1.50	98	98	92	89	89	91	87	79	96
	2.50	99	99	91	88	88	90	86	79	95
	4.25	101	101	90	87	87	87	84	79	94
3525	0.00	99	99	98	94	94	96	94	85	101
	2.00	101	101	97	93	92	94	92	85	100
	4.00	103	103	96	91	91	92	90	84	98
	6.00	104	104	96	91	90	91	88	84	98
4050	0.00	102	102	101	97	96	99	97	90	104
	2.75	104	104	101	96	95	97	96	89	103
	5.50	106	106	101	94	93	95	94	88	101
	8.00	107	107	102	95	93	94	92	88	101

The sound power level ratings shown are in decibels, referred to 10^{-12} watts, calculated per AMCA International Standard 301. The A-weighted sound ratings shown have been calculated per AMCA International Standard 301. Values shown are for inlet Lwi and inlet LwiA sound power levels for Installation Type B: free inlet, ducted outlet. Values shown are for outlet Lwo and outlet LwoA sound power levels for Installation Type B: free inlet, ducted outlet. Ratings include the effects of duct end correction.

MXI 135 SOUND PERFORMANCE

RPM	"Nom-inal Ps"	INLET SOUND POWER BY OCTAVE BANDS dB Lwi								LwiA
		63	125	250	500	1000	2000	4000	8000	
1000	0.00	64	66	68	71	69	63	53	43	73
	0.25	64	66	67	69	68	62	53	43	71
	0.38	64	66	67	68	67	62	53	42	70
	0.50	64	65	66	66	66	62	53	42	69
1400	0.00	72	71	76	76	79	74	66	55	81
	0.50	72	71	75	75	77	73	66	55	80
	0.75	72	71	74	74	75	73	66	55	79
	1.00	72	71	74	74	73	72	66	55	78
1800	0.00	78	77	81	81	84	81	74	65	87
	0.75	78	77	80	80	82	80	74	64	86
	1.25	78	77	80	80	81	79	74	64	85
	1.75	87	83	81	80	78	77	73	64	84
2200	0.00	82	81	85	85	87	87	81	72	92
	1.00	82	81	85	85	86	86	81	72	91
	2.00	82	81	84	84	84	84	80	72	89
	2.75	99	96	89	86	84	81	79	72	90
2700	0.00	87	86	86	90	91	93	88	80	97
	1.00	87	86	86	89	90	92	87	80	96
	2.00	87	86	85	89	89	91	87	79	95
	4.00	98	97	93	90	89	86	85	79	94
3100	0.00	90	90	88	93	93	97	92	85	100
	1.75	90	90	88	92	92	95	91	84	99
	3.50	90	90	88	92	91	93	91	84	98
	5.00	92	92	90	91	91	90	89	84	97
3498	0.00	92	92	91	96	96	98	96	89	103
	2.50	92	92	91	95	95	97	95	88	102
	5.00	92	92	91	94	94	95	93	88	100
	7.25	116	116	109	100	97	91	90	87	106

RPM	"Nom-inal Ps"	OUTLET SOUND POWER BY OCTAVE BANDS dB Lwo								LwoA
		63	125	250	500	1000	2000	4000	8000	
1000	0.00	74	73	69	71	70	63	53	43	73
	0.25	74	71	67	69	68	62	53	43	71
	0.38	74	70	66	68	67	61	53	43	70
	0.50	73	69	66	67	65	61	53	44	69
1400	0.00	82	80	74	78	79	75	65	55	82
	0.50	84	78	73	76	77	73	65	55	80
	0.75	85	77	73	74	76	72	65	55	79
	1.00	86	76	72	73	74	71	65	56	78
1800	0.00	88	86	81	82	84	82	74	64	88
	0.75	90	86	80	80	82	80	73	64	86
	1.25	91	85	79	79	81	79	73	64	85
	1.75	92	85	79	79	79	77	72	64	84
2200	0.00	92	91	87	85	88	88	81	71	93
	1.00	94	92	86	84	86	86	80	71	91
	2.00	96	92	85	83	84	84	79	71	90
	2.75	97	92	85	83	83	82	78	71	89
2700	0.00	97	96	94	92	92	93	89	79	98
	1.00	98	97	93	91	91	92	88	79	97
	2.00	99	98	92	89	90	91	87	78	96
	4.00	101	100	90	88	88	88	85	78	94
3100	0.00	100	100	98	95	95	97	93	84	102
	1.75	101	101	97	93	93	95	92	83	100
	3.50	103	103	95	92	92	93	90	83	99
	5.00	104	104	94	91	91	91	89	83	98
3498	0.00	102	102	101	97	97	99	96	88	104
	2.50	104	104	100	96	95	97	95	87	103
	5.00	106	106	99	94	94	95	93	87	101
	7.25	107	107	99	94	93	94	91	86	100

The sound power level ratings shown are in decibels, referred to 10^{-12} watts, calculated per AMCA International Standard 301. The A-weighted sound ratings shown have been calculated per AMCA International Standard 301. Values shown are for inlet Lwi and inlet LwiA sound power levels for Installation Type B: free inlet, ducted outlet. Values shown are for outlet Lwo and outlet LwoA sound power levels for Installation Type B: free inlet, ducted outlet. Ratings include the effects of duct end correction.

MXI 150 SOUND PERFORMANCE

RPM	"Nom-inal Ps"	INLET SOUND POWER BY OCTAVE BANDS dB Lwi								LwiA
		63	125	250	500	1000	2000	4000	8000	
1000	0.00	67	69	71	74	72	66	57	46	76
	0.25	67	69	71	72	71	66	56	46	75
	0.50	67	69	70	70	70	65	56	46	73
	0.63	67	68	69	69	69	65	56	46	72
1350	0.00	75	74	78	79	81	76	68	57	84
	0.50	74	74	77	77	79	75	68	57	82
	1.00	75	74	76	76	77	74	67	57	81
	1.25	88	82	79	77	74	73	67	58	80
1700	0.00	80	78	83	83	86	83	76	66	89
	0.50	80	78	83	82	85	82	76	66	88
	1.50	80	78	82	81	82	81	75	65	86
	2.00	95	90	85	83	79	78	74	66	86
2050	0.00	84	83	87	87	89	88	82	73	93
	1.00	84	83	86	86	88	87	81	72	92
	2.00	84	83	86	86	86	86	81	72	91
	3.00	104	100	91	89	85	82	80	72	92
2450	0.00	88	87	88	91	92	93	88	79	98
	1.50	88	87	87	90	91	92	87	79	96
	3.00	88	87	87	89	90	90	87	79	95
	4.25	107	105	98	93	90	86	85	79	97
2850	0.00	91	91	90	94	95	98	93	85	101
	2.00	91	91	90	94	94	96	92	85	100
	4.00	91	91	90	93	93	94	91	84	99
	6.00	118	117	107	98	95	88	88	84	105
3225	0.00	94	94	92	97	97	100	96	89	104
	2.50	94	94	92	96	96	99	96	89	103
	5.00	94	94	92	95	95	96	95	89	102
	7.50	116	116	108	100	98	92	92	88	106

RPM	"Nom-inal Ps"	OUTLET SOUND POWER BY OCTAVE BANDS dB Lwo								LwoA
		63	125	250	500	1000	2000	4000	8000	
1000	0.00	77	76	72	75	73	66	56	46	76
	0.25	77	75	71	73	71	65	56	46	75
	0.50	77	73	69	71	70	64	56	46	73
	0.63	76	72	69	70	68	64	56	47	72
1350	0.00	85	82	77	80	81	77	67	57	84
	0.50	86	80	76	78	79	75	67	57	82
	1.00	87	79	75	76	77	73	66	57	80
	1.25	88	79	75	76	76	73	66	58	80
1700	0.00	90	88	83	84	87	84	75	65	90
	0.50	91	88	82	83	85	83	75	65	89
	1.50	93	86	81	81	82	80	74	65	86
	2.00	94	86	81	81	81	79	74	66	86
2050	0.00	94	93	88	87	90	89	82	72	94
	1.00	95	93	87	86	88	87	81	72	93
	2.00	97	93	86	85	87	85	80	72	91
	3.00	99	93	86	85	85	84	79	72	90
2450	0.00	98	97	94	93	93	94	88	78	99
	1.50	99	98	93	91	92	92	87	78	97
	3.00	101	99	91	89	90	90	86	78	96
	4.25	103	100	91	89	89	88	85	78	95
2850	0.00	101	101	98	96	96	98	94	84	103
	2.00	103	102	97	94	95	96	92	84	101
	4.00	104	104	96	93	93	94	90	83	99
	6.00	106	105	95	92	92	92	89	83	99
3225	0.00	104	104	102	99	98	101	97	88	106
	2.50	105	105	101	97	97	99	96	88	104
	5.00	106	106	100	96	96	98	95	88	103
	7.50	107	107	99	95	95	96	93	87	102

The sound power level ratings shown are in decibels, referred to 10^{-12} watts, calculated per AMCA International Standard 301. The A-weighted sound ratings shown have been calculated per AMCA International Standard 301. Values shown are for inlet Lwi and inlet LwiA sound power levels for Installation Type B: free inlet, ducted outlet. Values shown are for outlet Lwo and outlet LwoA sound power levels for Installation Type B: free inlet, ducted outlet. Ratings include the effects of duct end correction.

MXI 165 SOUND PERFORMANCE

RPM	"Nom-inal Ps"	INLET SOUND POWER BY OCTAVE BANDS dB Lwi								LwiA
		63	125	250	500	1000	2000	4000	8000	
1000	0.00	70	72	69	69	69	65	55	45	72
	0.50	68	69	66	65	67	64	53	41	70
	0.75	68	68	64	64	66	63	53	41	69
	0.90	68	67	63	63	65	60	51	41	68
1300	0.00	76	77	78	74	75	73	65	55	79
	0.50	75	75	76	72	73	72	64	53	77
	1.00	75	73	74	70	71	71	63	51	76
	1.60	76	73	71	68	70	68	59	50	74
1600	0.00	80	81	83	79	79	79	73	62	84
	1.00	79	78	80	76	76	77	72	60	82
	1.75	81	77	78	74	75	76	71	59	81
	2.40	82	78	76	73	73	75	67	57	79
1900	0.00	84	84	87	83	82	83	78	68	88
	1.00	83	82	85	81	81	82	78	67	87
	2.00	84	81	83	79	79	81	77	66	86
	3.40	87	82	80	77	77	79	73	63	83
2200	0.00	87	87	90	87	86	86	83	74	92
	1.50	87	86	87	85	84	85	82	73	90
	3.00	88	85	86	83	82	83	81	72	89
	4.50	90	86	83	81	80	82	78	69	87
2500	0.00	90	90	91	91	88	89	86	79	95
	1.75	89	89	89	89	86	87	86	78	93
	3.50	90	89	88	87	85	86	85	77	92
	5.00	92	90	87	85	83	85	84	76	91
2800	0.00	93	93	94	94	91	91	90	83	98
	2.50	92	91	91	91	89	89	89	82	96
	5.00	93	92	90	89	87	88	88	81	94
	7.13	95	93	89	87	85	86	86	78	93

RPM	"Nom-inal Ps"	OUTLET SOUND POWER BY OCTAVE BANDS dB Lwo								LwoA
		63	125	250	500	1000	2000	4000	8000	
1000	0.00	73	73	73	72	70	66	58	49	75
	0.50	72	72	71	71	70	66	56	46	73
	0.75	70	69	69	69	68	64	55	45	72
	0.90	70	70	69	68	68	63	57	51	71
1300	0.00	85	77	79	78	77	74	67	58	81
	0.50	84	77	79	77	76	73	67	56	81
	1.00	83	75	77	76	75	73	66	55	79
	1.60	82	74	76	73	73	71	66	61	78
1600	0.00	95	81	84	83	82	80	75	65	87
	1.00	93	80	83	82	81	79	74	64	86
	1.75	91	79	80	80	79	78	73	62	84
	2.40	91	78	81	78	78	77	72	66	83
1900	0.00	101	86	87	87	86	84	80	71	91
	1.00	100	86	87	86	86	84	80	70	90
	2.00	98	85	86	84	84	83	79	69	89
	3.40	96	83	85	82	82	81	77	72	87
2200	0.00	104	93	90	90	90	88	84	76	95
	1.50	103	92	90	89	89	87	84	75	94
	3.00	100	91	88	87	87	86	83	74	92
	4.50	100	89	88	86	85	85	81	76	91
2500	0.00	107	99	92	93	93	91	88	81	98
	1.75	106	98	91	92	92	90	87	80	97
	3.50	104	97	90	91	90	90	87	79	96
	5.00	102	95	88	89	88	88	85	79	94
2800	0.00	109	104	94	96	95	94	91	85	100
	2.50	108	103	93	95	94	93	90	84	100
	5.00	105	101	92	93	92	92	89	83	98
	7.13	105	100	91	92	90	90	88	83	97

The sound power level ratings shown are in decibels, referred to 10^{-12} watts, calculated per AMCA International Standard 301. The A-weighted sound ratings shown have been calculated per AMCA International Standard 301. Values shown are for inlet Lwi and inlet LwiA sound power levels for Installation Type B: free inlet, ducted outlet. Values shown are for outlet Lwo and outlet LwoA sound power levels for Installation Type B: free inlet, ducted outlet. Ratings include the effects of duct end correction.

MXI 182 SOUND PERFORMANCE

RPM	"Nom-inal Ps"	INLET SOUND POWER BY OCTAVE BANDS dB Lwi								LwiA
		63	125	250	500	1000	2000	4000	8000	
1000	0.00	73	75	72	72	72	68	58	48	75
	0.50	71	72	69	69	70	67	56	45	74
	0.75	71	71	68	68	70	66	56	44	73
	1.10	71	70	66	66	68	63	54	44	71
1250	0.00	78	79	81	76	77	74	66	56	81
	0.75	76	76	77	74	75	73	65	53	79
	1.25	77	75	76	72	73	73	65	53	78
	1.75	78	75	74	71	72	70	62	52	76
1500	0.00	82	83	85	80	80	80	73	63	86
	1.00	81	80	82	78	78	78	72	61	84
	1.75	82	79	80	76	77	78	72	60	83
	2.50	83	79	78	74	75	76	68	58	81
1750	0.00	85	86	88	84	84	84	79	68	90
	1.00	85	84	86	82	82	83	78	67	88
	2.25	86	82	84	79	80	82	78	66	87
	3.50	88	83	81	78	78	81	73	64	85
2000	0.00	88	88	91	88	87	87	83	73	93
	1.50	87	86	88	85	84	86	82	72	91
	3.00	89	86	86	83	83	85	81	71	90
	4.50	91	87	84	81	81	83	78	68	88
2300	0.00	91	91	94	91	90	90	87	78	96
	2.00	91	90	91	89	87	88	86	77	94
	4.00	92	90	89	87	86	87	85	76	93
	6.00	94	91	87	85	84	86	82	73	91
2620	0.00	94	94	95	95	93	93	91	83	99
	2.50	93	93	93	93	90	91	90	82	97
	5.00	95	93	92	91	88	90	89	82	96
	7.75	97	95	91	88	87	88	86	78	94

RPM	"Nom-inal Ps"	OUTLET SOUND POWER BY OCTAVE BANDS dB Lwo								LwoA
		63	125	250	500	1000	2000	4000	8000	
1000	0.00	76	76	76	75	73	69	61	52	78
	0.50	76	75	75	74	73	69	60	49	77
	0.75	74	73	73	73	72	68	59	49	76
	1.10	73	73	72	71	71	66	60	54	74
1250	0.00	87	80	81	80	79	76	69	60	83
	0.75	85	79	81	79	78	75	68	58	82
	1.25	84	77	78	77	77	74	67	57	81
	1.75	83	77	78	76	75	73	67	62	80
1500	0.00	95	83	85	85	84	81	75	66	88
	1.00	94	82	85	83	83	80	75	64	87
	1.75	92	81	82	81	81	79	74	63	86
	2.50	91	80	82	80	80	78	73	67	84
1750	0.00	102	86	89	88	87	85	81	71	92
	1.00	101	85	88	87	87	85	80	70	91
	2.25	99	84	86	85	85	84	79	69	90
	3.50	98	82	86	83	83	83	77	72	88
2000	0.00	105	92	91	91	90	88	84	76	95
	1.50	104	91	91	90	90	88	84	75	95
	3.00	101	90	89	88	88	87	83	74	93
	4.50	100	88	88	87	86	86	81	76	92
2300	0.00	108	98	94	94	94	92	88	81	99
	2.00	107	97	94	93	93	91	88	80	98
	4.00	104	96	92	91	91	90	87	79	96
	6.00	104	94	92	90	89	89	85	80	95
2620	0.00	111	104	96	97	97	95	92	86	102
	2.75	109	103	95	96	95	95	92	85	101
	5.50	107	101	93	94	93	93	90	84	99
	7.75	106	100	92	93	92	91	89	84	98

The sound power level ratings shown are in decibels, referred to 10^{-12} watts, calculated per AMCA International Standard 301. The A-weighted sound ratings shown have been calculated per AMCA International Standard 301. Values shown are for inlet Lwi and inlet LwiA sound power levels for Installation Type B: free inlet, ducted outlet. Values shown are for outlet Lwo and outlet LwoA sound power levels for Installation Type B: free inlet, ducted outlet. Ratings include the effects of duct end correction.

MXI 200 SOUND PERFORMANCE

RPM	"Nom-inal P _S "	INLET SOUND POWER BY OCTAVE BANDS dB Lwi								LwiA
		63	125	250	500	1000	2000	4000	8000	
800	0.00	72	73	70	70	70	63	53	43	73
	0.25	70	71	68	68	69	63	51	40	71
	0.50	68	69	66	66	68	62	50	39	70
	0.80	68	68	64	65	66	60	49	38	69
1050	0.00	77	79	77	75	76	72	63	53	79
	0.50	75	77	74	73	75	71	62	50	78
	1.00	75	75	72	71	73	71	61	49	77
	1.50	76	73	70	70	72	67	58	48	75
1300	0.00	82	83	84	80	80	78	71	60	85
	0.75	80	81	82	78	79	77	70	58	83
	1.50	81	79	80	76	77	77	69	57	82
	2.25	82	78	78	74	76	74	66	56	80
1550	0.00	86	86	88	84	84	84	77	67	89
	1.00	85	84	86	82	82	83	76	65	88
	2.00	85	83	84	80	81	82	76	64	86
	3.25	87	83	81	78	79	80	72	62	84
1800	0.00	89	89	91	87	87	88	83	72	93
	1.50	88	87	89	85	85	87	82	71	91
	3.00	90	86	87	83	83	85	81	70	90
	4.50	91	86	84	81	81	84	77	67	88
2065	0.00	92	92	94	91	90	91	87	77	96
	1.75	91	90	92	89	88	89	86	76	95
	3.50	92	89	90	87	86	88	85	75	93
	5.00	94	90	89	86	85	87	84	74	92
2335	0.00	95	95	97	95	93	93	90	82	99
	2.50	94	93	95	92	91	92	89	81	97
	5.00	95	93	93	90	89	90	89	80	96
	7.38	97	94	90	88	87	89	86	77	94

RPM	"Nom-inal P _S "	OUTLET SOUND POWER BY OCTAVE BANDS dB Lwo								LwoA
		63	125	250	500	1000	2000	4000	8000	
800	0.00	72	74	74	73	70	65	56	47	75
	0.25	71	74	73	72	70	65	55	45	74
	0.50	71	73	72	71	69	64	54	44	73
	0.80	69	71	69	69	68	63	55	47	72
1050	0.00	81	79	80	79	77	74	66	56	82
	0.50	81	79	79	78	77	73	65	55	81
	1.00	79	77	77	77	76	72	63	53	80
	1.50	78	76	76	75	74	71	65	59	78
1300	0.00	91	83	85	84	83	80	73	64	87
	0.75	90	83	84	83	82	79	72	62	87
	1.50	89	81	83	82	81	78	71	61	85
	2.25	87	80	82	80	79	77	71	65	84
1550	0.00	99	86	89	88	87	84	79	70	92
	1.00	98	86	88	87	87	84	79	69	91
	2.00	96	85	87	86	85	83	78	68	90
	3.25	95	83	86	83	83	82	77	71	88
1800	0.00	105	90	92	92	91	89	84	75	96
	1.50	104	89	91	90	90	88	84	74	95
	3.00	102	88	89	88	88	87	83	73	93
	4.50	101	86	89	87	86	86	81	76	92
2065	0.00	108	96	95	95	94	92	88	80	99
	1.75	107	95	95	94	93	92	88	79	98
	3.50	105	94	93	92	92	91	87	78	97
	5.00	103	93	91	90	90	90	86	78	96
2335	0.00	111	102	98	97	97	95	92	84	102
	2.50	110	101	97	97	96	95	91	83	101
	5.00	107	99	95	94	94	93	90	82	100
	7.38	107	98	95	93	92	92	89	83	98

The sound power level ratings shown are in decibels, referred to 10⁻¹² watts, calculated per AMCA International Standard 301. The A-weighted sound ratings shown have been calculated per AMCA International Standard 301. Values shown are for inlet Lwi and inlet LwiA sound power levels for Installation Type B: free inlet, ducted outlet. Values shown are for outlet Lwo and outlet LwoA sound power levels for Installation Type B: free inlet, ducted outlet. Ratings include the effects of duct end correction.

MXI 222 SOUND PERFORMANCE

RPM	"Nom-inal Ps"	INLET SOUND POWER BY OCTAVE BANDS dB Lwi								LwiA
		63	125	250	500	1000	2000	4000	8000	
600	0.00	70	69	67	67	64	56	46	35	68
	0.25	67	66	64	65	63	55	43	32	66
	0.50	70	65	62	63	62	54	42	30	65
	0.63	71	66	61	62	59	50	41	32	63
850	0.00	76	78	74	74	75	69	58	48	78
	0.50	73	75	71	72	73	68	56	45	76
	0.75	73	74	70	71	72	68	56	44	75
	1.25	73	72	68	68	71	63	53	44	73
1100	0.00	82	83	81	80	80	77	68	57	84
	0.75	80	81	79	77	79	76	66	55	82
	1.25	79	79	77	76	78	75	66	54	81
	2.00	80	78	75	74	76	72	63	53	79
1350	0.00	86	87	88	84	84	83	75	65	89
	1.00	85	85	86	82	83	82	74	63	87
	2.00	85	83	84	80	81	81	74	62	86
	3.10	86	83	82	78	79	78	70	60	84
1600	0.00	90	90	92	88	88	88	82	71	93
	1.50	89	88	90	86	86	87	81	69	92
	3.00	90	87	88	83	84	86	80	68	90
	4.40	91	87	85	82	82	84	76	66	88
1875	0.00	93	93	96	92	91	92	87	77	97
	2.00	92	91	93	89	89	91	86	76	96
	4.00	94	90	91	87	87	89	86	75	94
	6.00	95	91	89	86	86	88	81	72	92
2150	0.00	96	96	98	96	94	95	91	82	100
	2.50	95	94	96	93	92	93	90	81	99
	5.00	96	94	94	91	90	92	90	80	97
	7.50	98	95	92	89	89	91	87	78	96

RPM	"Nom-inal Ps"	OUTLET SOUND POWER BY OCTAVE BANDS dB Lwo								LwoA
		63	125	250	500	1000	2000	4000	8000	
600	0.00	85	71	71	69	66	59	49	40	71
	0.25	83	70	69	68	65	57	47	37	70
	0.50	80	67	67	66	64	56	46	36	68
	0.63	81	67	66	65	62	57	53	48	67
850	0.00	76	79	79	78	75	71	61	52	80
	0.50	75	78	77	77	75	70	60	50	79
	0.75	75	77	76	76	74	69	59	49	78
	1.25	73	76	74	73	73	67	63	58	76
1100	0.00	87	84	84	84	82	78	71	61	86
	0.75	86	83	83	83	81	78	69	59	85
	1.25	85	82	82	81	81	77	69	58	84
	2.00	83	80	80	79	79	75	69	63	83
1350	0.00	96	87	89	88	87	84	78	68	91
	1.00	95	87	89	87	86	84	77	67	91
	2.00	93	85	87	86	85	83	76	66	89
	3.10	92	84	86	83	83	81	76	70	88
1600	0.00	104	90	93	92	91	89	84	74	96
	1.50	103	90	92	91	90	88	83	73	95
	3.00	100	88	90	89	89	87	82	72	93
	4.40	100	87	90	87	87	86	81	76	92
1875	0.00	109	95	96	96	95	93	89	80	100
	2.00	108	94	96	95	94	93	88	79	99
	4.00	106	93	94	93	93	92	87	78	98
	6.00	105	91	93	91	90	90	85	80	96
2150	0.00	112	101	99	99	98	96	93	85	103
	2.50	111	100	99	98	97	96	92	84	102
	5.00	109	99	97	96	96	95	91	83	101
	7.50	108	97	96	94	94	93	90	84	99

The sound power level ratings shown are in decibels, referred to 10^{-12} watts, calculated per AMCA International Standard 301. The A-weighted sound ratings shown have been calculated per AMCA International Standard 301. Values shown are for inlet Lwi and inlet LwiA sound power levels for Installation Type B: free inlet, ducted outlet. Values shown are for outlet Lwo and outlet LwoA sound power levels for Installation Type B: free inlet, ducted outlet. Ratings include the effects of duct end correction.

MXI 245 SOUND PERFORMANCE

RPM	"Nom-inal Ps"	INLET SOUND POWER BY OCTAVE BANDS dB Lwi								LwiA
		63	125	250	500	1000	2000	4000	8000	
500	0.00	69	66	66	66	62	52	42	31	66
	0.13	68	65	64	65	61	51	40	29	65
	0.25	66	63	62	64	61	50	38	27	65
	0.50	70	60	60	62	57	48	38	27	62
700	0.00	75	76	73	73	72	65	54	44	75
	0.50	72	72	70	70	70	63	51	40	73
	0.75	72	72	68	69	70	63	51	39	72
	1.00	71	72	67	68	68	60	50	40	71
900	0.00	80	82	79	78	79	74	63	53	82
	0.50	78	80	76	76	78	73	62	51	81
	1.00	77	78	74	75	77	73	61	49	80
	1.70	78	76	72	73	75	68	58	49	77
1100	0.00	84	86	84	83	83	80	71	60	87
	0.75	83	84	82	81	82	79	70	58	85
	1.50	82	82	80	79	81	78	69	57	84
	2.50	83	81	78	77	79	75	66	56	82
1400	0.00	90	90	92	88	88	87	80	69	93
	1.50	88	88	89	85	86	86	79	67	91
	3.00	89	87	87	83	84	85	78	66	90
	4.10	90	86	85	82	83	82	74	65	88
1675	0.00	94	94	96	92	92	92	86	76	97
	1.63	93	92	94	90	90	91	86	74	96
	3.25	93	90	92	88	89	90	85	73	95
	5.00	95	90	91	86	87	89	84	72	94
1950	0.00	97	97	99	96	95	96	91	81	101
	2.50	96	95	97	94	93	94	90	80	99
	5.00	97	94	95	91	91	93	90	79	98
	7.50	99	95	93	90	90	92	87	77	96

RPM	"Nom-inal Ps"	OUTLET SOUND POWER BY OCTAVE BANDS dB Lwo								LwoA
		63	125	250	500	1000	2000	4000	8000	
500	0.00	84	70	69	67	63	55	46	36	69
	0.13	83	69	69	67	63	54	44	35	68
	0.25	82	68	68	67	63	53	43	33	68
	0.50	79	66	65	65	60	54	48	42	66
700	0.00	76	78	77	76	73	67	58	48	77
	0.50	75	76	75	75	72	66	55	45	76
	0.75	73	74	74	73	71	65	55	44	75
	1.00	72	74	72	72	70	65	59	53	74
900	0.00	81	83	83	82	80	75	66	57	84
	0.50	80	83	82	81	79	75	65	55	84
	1.00	79	81	80	80	79	74	64	54	83
	1.70	77	80	78	77	77	72	67	62	81
1100	0.00	90	86	87	87	85	81	73	64	89
	0.75	89	86	86	86	84	81	73	63	88
	1.50	88	85	85	84	83	80	72	61	87
	2.50	86	83	83	82	82	78	73	67	86
1400	0.00	101	91	93	92	91	88	82	73	95
	1.50	100	90	92	91	90	87	81	71	94
	3.00	97	88	89	89	88	86	80	70	93
	4.10	97	87	90	87	87	85	80	75	92
1625	0.00	109	94	97	96	95	93	88	79	100
	1.63	108	93	96	95	95	93	88	78	99
	3.25	106	93	95	94	94	92	87	77	98
	5.00	104	91	93	92	92	91	86	77	97
1950	0.00	113	99	100	100	99	97	93	84	104
	2.50	112	99	99	99	98	96	92	83	103
	5.00	110	98	98	97	97	96	91	82	102
	7.50	109	96	97	95	94	94	90	84	100

The sound power level ratings shown are in decibels, referred to 10^{-12} watts, calculated per AMCA International Standard 301. The A-weighted sound ratings shown have been calculated per AMCA International Standard 301. Values shown are for inlet Lwi and inlet LwiA sound power levels for Installation Type B: free inlet, ducted outlet. Values shown are for outlet Lwo and outlet LwoA sound power levels for Installation Type B: free inlet, ducted outlet. Ratings include the effects of duct end correction.

MXI 270 SOUND PERFORMANCE

RPM	"Nom-inal P _s "	INLET SOUND POWER BY OCTAVE BANDS dB Lwi								LwiA
		63	125	250	500	1000	2000	4000	8000	
500	0.00	72	69	68	69	65	55	45	34	69
	0.25	69	67	66	67	64	53	42	30	68
	0.50	72	64	64	66	63	53	41	29	67
	0.63	73	63	63	65	59	50	40	31	65
700	0.00	78	79	76	76	75	68	57	47	78
	0.25	77	77	74	75	74	67	56	45	77
	0.75	75	75	72	73	73	66	54	42	76
	1.25	74	75	70	71	70	62	52	43	73
900	0.00	83	85	82	81	82	77	66	56	85
	0.75	81	83	79	79	80	76	65	53	83
	1.25	80	81	77	78	80	75	64	52	83
	2.00	80	79	75	76	78	71	62	52	80
1100	0.00	87	89	87	86	86	83	74	63	90
	1.00	86	87	85	83	85	82	72	61	88
	2.00	85	85	83	82	83	81	72	60	87
	3.00	86	84	81	80	82	78	69	59	85
1275	0.00	91	92	93	89	89	87	79	69	94
	1.50	89	89	90	86	87	86	78	67	92
	3.00	90	88	88	84	86	85	77	65	90
	4.10	91	87	86	83	84	82	74	64	88
1475	0.00	94	94	96	92	92	91	85	74	97
	1.63	93	92	94	90	90	90	84	72	96
	3.25	93	91	92	88	89	89	83	71	94
	5.00	95	91	90	86	87	88	81	70	93
1680	0.00	97	97	99	95	95	95	89	79	100
	2.38	96	94	97	93	93	94	89	77	99
	4.75	97	93	95	90	91	93	88	76	97
	7.00	99	94	92	89	89	91	84	74	96

RPM	"Nom-inal P _s "	OUTLET SOUND POWER BY OCTAVE BANDS dB Lwo								LwoA
		63	125	250	500	1000	2000	4000	8000	
500	0.00	87	73	72	70	66	58	49	39	72
	0.25	85	72	71	70	66	57	46	36	71
	0.50	82	69	69	68	64	55	45	35	69
	0.63	82	68	68	67	63	58	53	48	69
700	0.00	79	80	80	79	76	70	61	51	80
	0.25	78	80	79	78	76	69	60	50	80
	0.75	77	78	77	77	75	68	58	48	79
	1.25	75	77	75	75	73	68	63	58	77
900	0.00	84	86	86	85	83	78	69	60	87
	0.75	83	85	84	84	82	78	68	58	86
	1.25	82	84	83	83	82	77	67	57	85
	2.00	80	83	81	80	80	75	69	64	84
1100	0.00	93	89	90	90	88	84	76	67	92
	1.00	92	89	89	89	87	84	75	65	91
	2.00	90	87	87	87	86	83	74	64	90
	3.00	89	86	86	85	85	81	76	70	89
1275	0.00	99	92	94	93	91	88	82	72	96
	1.50	98	91	93	92	91	88	81	71	95
	3.00	96	89	90	90	89	87	79	69	93
	4.10	96	89	91	88	88	85	80	75	92
1475	0.00	106	95	97	96	95	92	87	77	100
	1.63	105	94	96	95	94	92	86	76	99
	3.25	104	93	95	94	93	91	85	75	98
	5.00	102	91	93	92	91	90	84	77	96
1680	0.00	112	97	100	99	98	96	91	82	103
	2.38	111	96	99	98	98	96	91	81	102
	4.75	108	95	97	96	96	95	90	79	101
	7.00	108	94	97	94	94	93	88	83	99

The sound power level ratings shown are in decibels, referred to 10⁻¹² watts, calculated per AMCA International Standard 301. The A-weighted sound ratings shown have been calculated per AMCA International Standard 301. Values shown are for inlet Lwi and inlet LwiA sound power levels for Installation Type B: free inlet, ducted outlet. Values shown are for outlet Lwo and outlet LwoA sound power levels for Installation Type B: free inlet, ducted outlet. Ratings include the effects of duct end correction.

MXI 300 SOUND PERFORMANCE

RPM	"Nom-inal Ps"	INLET SOUND POWER BY OCTAVE BANDS dB Lwi								LwiA
		63	125	250	500	1000	2000	4000	8000	
500	0.00	76	73	72	72	68	58	48	38	73
	0.25	73	70	70	71	67	57	46	34	71
	0.50	74	68	68	70	67	56	44	32	70
	0.75	76	66	66	68	63	54	44	34	68
700	0.00	82	82	79	79	78	71	60	50	81
	0.50	79	80	77	77	77	70	59	47	80
	1.00	78	78	75	76	76	69	57	45	79
	1.50	77	78	73	74	74	66	56	46	77
900	0.00	86	89	85	84	85	80	70	59	88
	0.75	84	86	83	83	84	79	68	57	87
	1.50	83	85	81	81	83	79	67	55	86
	2.50	84	82	79	79	81	74	65	55	84
1050	0.00	90	91	89	88	88	84	75	65	92
	1.00	88	89	87	86	87	84	74	63	91
	2.00	87	88	85	84	86	83	73	61	89
	3.45	88	86	83	82	84	79	70	61	87
1150	0.00	92	93	92	90	90	87	79	68	94
	1.50	90	90	89	87	88	86	77	66	92
	3.00	90	89	87	85	87	85	76	65	91
	4.15	91	88	85	84	86	82	73	64	89
1325	0.00	95	96	97	93	93	91	84	73	98
	1.63	93	94	95	91	92	90	83	72	96
	3.25	93	92	93	89	90	90	82	70	95
	5.00	95	91	91	87	89	88	80	69	93
1498	0.00	97	98	100	96	96	95	88	78	101
	2.38	96	96	98	94	94	94	88	77	100
	4.75	96	95	96	92	93	93	87	75	98
	7.00	97	94	95	91	92	93	87	75	98

RPM	"Nom-inal Ps"	OUTLET SOUND POWER BY OCTAVE BANDS dB Lwo								LwoA
		63	125	250	500	1000	2000	4000	8000	
500	0.00	90	76	76	73	70	61	52	43	75
	0.25	89	75	75	73	69	60	50	40	74
	0.50	87	73	73	72	68	59	49	39	73
	0.75	86	72	71	71	67	61	54	48	72
700	0.00	82	84	83	82	79	73	64	54	83
	0.50	81	83	82	81	79	72	62	52	83
	1.00	80	81	80	80	78	71	61	51	82
	1.50	79	80	78	78	76	71	65	60	80
900	0.00	87	89	89	88	86	82	73	63	90
	0.75	86	89	88	87	86	81	71	62	90
	1.50	85	87	86	86	85	80	70	60	89
	2.50	83	86	84	84	83	78	73	67	87
1050	0.00	94	92	92	92	90	86	78	69	94
	1.00	93	91	91	91	89	86	77	67	94
	2.00	92	90	90	90	89	85	76	66	93
	3.45	90	89	88	87	87	83	78	73	91
1150	0.00	98	93	94	94	92	89	81	72	96
	1.50	97	93	93	93	92	88	80	70	96
	3.00	95	91	91	91	90	87	79	69	94
	4.15	94	90	90	89	89	85	80	75	93
1325	0.00	104	96	98	97	96	92	86	77	100
	1.63	104	95	97	96	95	92	85	75	99
	3.25	102	94	96	95	94	91	85	74	98
	5.00	100	93	94	93	92	90	84	76	97
1498	0.00	110	98	100	100	99	96	90	81	103
	2.38	109	98	100	99	98	96	90	80	102
	4.75	107	96	98	97	96	95	89	78	101
	7.00	106	95	98	95	95	93	88	83	100

The sound power level ratings shown are in decibels, referred to 10^{-12} watts, calculated per AMCA International Standard 301. The A-weighted sound ratings shown have been calculated per AMCA International Standard 301. Values shown are for inlet Lwi and inlet LwiA sound power levels for Installation Type B: free inlet, ducted outlet. Values shown are for outlet Lwo and outlet LwoA sound power levels for Installation Type B: free inlet, ducted outlet. Ratings include the effects of duct end correction.

MXI 330 SOUND PERFORMANCE

RPM	"Nom-inal Ps"	INLET SOUND POWER BY OCTAVE BANDS dB Lwi								LwiA
		63	125	250	500	1000	2000	4000	8000	
500	0.00	78	76	75	75	71	61	51	41	76
	0.25	77	74	73	74	70	60	49	38	74
	0.50	76	72	71	73	70	59	47	36	74
	0.95	79	69	69	71	65	56	47	37	71
600	0.00	82	81	79	79	76	68	58	47	80
	0.50	80	78	76	77	75	67	55	44	79
	1.00	82	77	74	76	74	66	54	42	78
	1.35	83	78	73	74	71	63	53	43	75
700	0.00	85	85	82	82	81	74	63	53	84
	0.60	82	82	80	80	80	73	61	50	83
	1.20	81	81	78	79	79	72	60	48	82
	1.80	80	81	76	77	77	69	59	49	80
800	0.00	87	89	85	85	85	79	68	58	88
	1.00	84	85	82	82	83	78	66	54	86
	1.50	84	84	81	81	83	77	65	54	85
	2.40	84	84	79	79	81	73	63	54	83
900	0.00	89	92	88	87	88	83	73	62	91
	1.00	87	89	85	85	87	82	71	60	90
	2.00	86	87	83	83	86	82	70	58	89
	3.00	87	85	81	82	84	77	68	58	87
1150	0.00	94	96	94	93	93	90	82	71	97
	1.63	93	94	92	91	92	89	80	69	95
	3.25	93	92	90	89	90	88	79	68	94
	5.00	94	91	88	87	89	85	76	67	92
1405	0.00	99	100	101	97	97	96	89	78	102
	2.38	98	97	99	95	95	95	88	77	100
	4.75	98	96	97	93	94	94	87	75	99
	7.25	100	96	95	91	92	92	84	74	97

RPM	"Nom-inal Ps"	OUTLET SOUND POWER BY OCTAVE BANDS dB Lwo								LwoA
		63	125	250	500	1000	2000	4000	8000	
500	0.00	93	79	78	76	72	64	55	46	78
	0.25	92	78	78	76	72	63	53	43	77
	0.50	91	77	77	76	72	62	52	42	77
	0.95	89	75	74	73	69	64	59	54	75
600	0.00	97	83	83	81	78	71	61	52	83
	0.50	95	82	82	80	77	70	59	49	82
	1.00	92	80	79	79	76	68	58	48	80
	1.35	93	79	78	78	75	69	64	59	79
700	0.00	85	87	86	85	82	76	67	57	86
	0.60	84	86	85	84	82	75	65	55	86
	1.20	83	84	83	83	81	74	64	54	85
	1.80	82	83	81	81	79	74	68	62	83
800	0.00	87	90	89	88	86	81	71	62	90
	1.00	86	89	88	87	85	80	70	59	89
	1.50	85	87	86	86	85	79	69	59	88
	2.40	84	86	84	84	83	78	72	67	87
900	0.00	90	92	92	91	89	85	75	66	93
	1.00	89	92	91	90	88	84	74	64	93
	2.00	88	90	89	89	88	83	73	63	91
	3.00	86	89	87	87	86	81	76	70	90
1150	0.00	101	96	97	97	95	91	84	75	99
	1.63	100	96	96	96	94	91	83	73	99
	3.25	98	94	94	94	93	90	82	72	97
	5.00	97	93	93	92	92	88	83	78	96
1405	0.00	110	100	102	101	100	97	91	82	104
	2.38	109	99	101	100	99	97	90	80	104
	4.75	107	98	100	99	98	96	89	79	102
	7.25	106	97	99	96	96	94	89	83	101

The sound power level ratings shown are in decibels, referred to 10^{-12} watts, calculated per AMCA International Standard 301. The A-weighted sound ratings shown have been calculated per AMCA International Standard 301. Values shown are for inlet Lwi and inlet LwiA sound power levels for Installation Type B: free inlet, ducted outlet. Values shown are for outlet Lwo and outlet LwoA sound power levels for Installation Type B: free inlet, ducted outlet. Ratings include the effects of duct end correction.

MXI 365 SOUND PERFORMANCE

RPM	"Nom-inal Ps"	INLET SOUND POWER BY OCTAVE BANDS dB Lwi								LwiA
		63	125	250	500	1000	2000	4000	8000	
500	0.00	81	79	78	78	74	64	54	44	79
	0.25	80	77	76	77	73	63	52	41	78
	0.75	80	74	74	76	73	62	50	38	76
	1.15	82	72	72	74	69	59	50	40	74
575	0.00	84	82	81	81	78	70	59	49	82
	0.50	82	80	79	80	77	68	57	46	81
	1.00	83	78	77	78	76	68	56	44	80
	1.50	85	76	75	77	73	65	55	45	77
650	0.00	86	86	83	84	82	74	64	53	85
	0.75	84	83	81	82	81	73	61	50	84
	1.25	83	82	79	81	80	72	60	49	83
	1.95	82	82	77	79	77	69	59	49	80
725	0.00	88	89	86	86	85	78	68	57	88
	0.75	86	87	84	84	84	77	66	55	87
	1.50	85	85	82	83	83	77	65	53	86
	2.40	84	85	80	81	81	73	63	53	84
820	0.00	90	92	89	88	89	83	72	62	92
	1.00	88	90	86	86	87	82	71	59	90
	2.00	87	88	84	85	86	81	69	58	89
	3.10	87	87	82	83	85	77	67	58	87
1050	0.00	96	97	95	94	94	90	81	71	98
	1.75	94	95	93	92	93	90	80	68	96
	3.50	93	93	90	90	91	89	79	67	95
	5.00	94	92	89	88	90	85	76	67	93
1280	0.00	100	101	102	98	98	96	89	78	103
	2.50	98	99	100	96	97	95	87	76	101
	5.00	99	97	98	94	95	94	87	75	100
	7.50	100	96	95	92	94	92	83	74	98

RPM	"Nom-inal Ps"	OUTLET SOUND POWER BY OCTAVE BANDS dB Lwo								LwoA
		63	125	250	500	1000	2000	4000	8000	
500	0.00	96	82	82	79	76	67	58	49	81
	0.25	95	81	81	79	75	66	57	47	80
	0.75	92	79	79	78	74	65	55	44	79
	1.15	92	78	77	77	72	67	62	57	78
575	0.00	99	85	85	83	79	72	63	54	85
	0.50	98	84	84	82	79	71	61	51	84
	1.00	95	82	82	81	78	70	60	50	83
	1.50	95	81	80	80	76	71	65	60	81
650	0.00	87	88	88	86	83	76	67	58	87
	0.75	86	87	86	85	82	75	65	55	87
	1.25	85	85	85	84	82	75	64	54	86
	1.95	83	84	83	82	80	75	70	64	84
725	0.00	88	90	90	89	86	80	71	62	90
	0.75	88	90	89	88	86	80	70	60	90
	1.50	87	88	87	87	85	79	68	58	89
	2.40	85	87	85	85	83	78	72	67	87
820	0.00	91	93	93	92	89	85	75	66	94
	1.00	90	93	92	91	89	84	74	64	93
	2.00	89	91	90	90	88	83	73	63	92
	3.10	87	90	88	87	87	82	76	71	90
1050	0.00	96	97	95	94	94	90	81	71	98
	1.75	94	95	93	92	93	90	80	68	96
	3.50	93	93	90	90	91	89	79	67	95
	5.00	94	92	89	88	90	85	76	67	93
1280	0.00	100	101	102	98	98	96	89	78	103
	2.50	99	99	101	97	97	96	88	77	102
	5.00	98	98	99	95	96	95	87	75	101
	7.50	99	97	98	94	95	94	87	75	100

The sound power level ratings shown are in decibels, referred to 10^{-12} watts, calculated per AMCA International Standard 301. The A-weighted sound ratings shown have been calculated per AMCA International Standard 301. Values shown are for inlet Lwi and inlet LwiA sound power levels for Installation Type B: free inlet, ducted outlet. Values shown are for outlet Lwo and outlet LwoA sound power levels for Installation Type B: free inlet, ducted outlet. Ratings include the effects of duct end correction.

MXI 402 SOUND PERFORMANCE

RPM	"Nom-inal Ps"	INLET SOUND POWER BY OCTAVE BANDS dB Lwi								LwiA
		63	125	250	500	1000	2000	4000	8000	
500	0.00	84	82	81	81	77	67	57	47	82
	0.50	82	79	78	80	76	66	54	43	80
	1.00	83	77	76	78	75	65	53	41	79
	1.40	85	75	75	77	71	62	53	43	77
575	0.00	87	85	84	84	81	72	62	52	85
	0.50	85	83	82	83	80	71	60	49	84
	1.00	85	82	80	82	80	71	59	47	83
	1.85	88	79	78	80	76	67	58	48	80
625	0.00	88	88	85	86	83	76	65	55	87
	0.75	86	85	83	84	82	74	63	52	86
	1.50	85	84	81	83	82	74	62	50	85
	2.20	84	84	79	81	79	70	61	51	82
675	0.00	90	90	87	87	86	78	68	58	89
	0.75	88	88	85	86	85	77	66	55	88
	1.50	86	86	83	84	84	77	65	53	87
	2.50	86	86	81	83	82	73	63	54	85
750	0.00	92	93	89	90	89	82	72	61	92
	1.00	90	90	87	88	88	81	70	59	91
	2.00	88	89	85	86	87	81	69	57	90
	3.15	88	88	83	84	85	77	67	57	87
915	0.00	96	98	94	94	94	89	79	69	98
	1.25	94	96	92	92	93	89	78	67	96
	2.50	92	94	90	90	92	88	77	65	95
	4.00	93	93	88	89	91	87	76	64	94
1080	0.00	99	101	99	97	98	94	85	75	101
	2.25	97	98	96	95	96	93	84	72	100
	4.50	97	97	94	93	95	93	83	71	99
	6.50	98	95	92	92	93	89	80	70	96

RPM	"Nom-inal Ps"	OUTLET SOUND POWER BY OCTAVE BANDS dB Lwo								LwoA
		63	125	250	500	1000	2000	4000	8000	
500	0.00	99	85	84	82	78	70	61	52	84
	0.50	97	84	83	82	78	69	59	49	83
	1.00	95	82	82	81	77	68	57	47	82
	1.40	95	81	80	80	75	70	65	60	81
575	0.00	102	88	88	86	82	75	66	56	87
	0.50	101	87	87	86	82	74	64	54	87
	1.00	99	86	86	85	82	73	63	53	86
	1.85	98	84	83	83	79	74	69	64	84
625	0.00	89	90	90	88	85	78	69	59	89
	0.75	88	89	88	87	84	77	67	57	89
	1.50	86	87	87	86	83	76	66	55	87
	2.20	86	86	85	84	82	77	72	67	86
675	0.00	90	92	91	90	87	81	71	62	91
	0.75	90	91	90	89	87	80	70	60	91
	1.50	89	90	89	88	86	79	69	59	90
	2.50	87	88	87	86	84	79	73	67	88
750	0.00	92	94	94	93	90	84	75	66	94
	1.00	91	94	93	92	89	84	74	64	94
	2.00	90	92	91	91	89	83	73	62	93
	3.15	89	91	89	88	87	82	77	72	91
915	0.00	96	98	98	98	95	91	82	73	100
	1.25	96	98	97	97	95	91	81	71	99
	2.50	95	97	96	96	95	90	80	70	98
	4.00	94	95	94	94	93	89	80	70	97
1080	0.00	104	101	102	101	99	96	88	79	104
	2.25	103	101	101	100	99	95	87	77	103
	4.50	101	99	99	98	98	94	86	75	102
	6.50	100	98	98	97	96	93	87	82	100

The sound power level ratings shown are in decibels, referred to 10^{-12} watts, calculated per AMCA International Standard 301. The A-weighted sound ratings shown have been calculated per AMCA International Standard 301. Values shown are for inlet Lwi and inlet LwiA sound power levels for Installation Type B: free inlet, ducted outlet. Values shown are for outlet Lwo and outlet LwoA sound power levels for Installation Type B: free inlet, ducted outlet. Ratings include the effects of duct end correction.

MXI 445 SOUND PERFORMANCE

RPM	"Nom-inal Ps"	INLET SOUND POWER BY OCTAVE BANDS dB Lwi								LwiA
		63	125	250	500	1000	2000	4000	8000	
400	0.00	83	79	79	79	73	62	52	41	79
	0.50	79	76	76	77	72	60	48	37	77
	0.75	81	74	75	77	71	59	48	36	76
	1.10	83	73	73	75	67	57	48	38	74
475	0.00	87	83	83	83	78	69	58	48	83
	0.50	84	81	81	82	78	67	56	44	82
	1.00	85	79	79	81	77	66	54	42	81
	1.50	87	77	77	79	74	64	54	44	79
550	0.00	89	87	86	86	83	74	64	53	87
	0.75	87	85	83	85	82	73	61	50	86
	1.50	89	82	81	83	81	72	60	48	84
	2.10	90	81	80	82	77	69	59	50	82
625	0.00	92	91	89	89	87	79	68	58	90
	1.00	89	88	86	87	85	77	66	54	89
	2.00	88	87	84	85	85	77	65	53	88
	2.70	87	88	83	84	82	73	64	54	85
675	0.00	93	93	90	90	89	81	71	61	92
	1.00	91	91	88	89	88	80	69	58	91
	2.00	89	89	86	87	87	80	68	56	90
	3.15	89	89	84	85	84	76	66	57	87
805	0.00	96	98	94	94	94	88	78	67	97
	1.25	94	96	92	92	93	87	76	65	96
	2.50	93	94	90	91	92	87	75	63	95
	4.00	93	93	88	89	91	85	74	63	93
930	0.00	99	101	98	97	98	93	83	72	101
	2.00	97	99	95	95	96	92	81	70	99
	4.00	96	97	93	93	95	92	80	68	98
	6.00	97	95	91	91	94	87	78	68	96

RPM	"Nom-inal Ps"	OUTLET SOUND POWER BY OCTAVE BANDS dB Lwo								LwoA
		63	125	250	500	1000	2000	4000	8000	
400	0.00	97	83	82	80	75	65	56	47	81
	0.50	95	82	81	79	74	64	53	43	80
	0.75	93	80	80	78	73	63	53	42	79
	1.10	93	78	78	77	72	67	62	56	78
475	0.00	101	87	86	84	80	71	62	53	86
	0.50	100	86	86	84	80	70	60	50	85
	1.00	97	84	84	83	79	69	59	49	84
	1.50	96	82	82	82	77	71	65	59	83
550	0.00	104	90	90	88	84	77	67	58	89
	0.75	103	89	89	87	84	75	65	55	89
	1.50	100	87	87	86	83	74	64	54	87
	2.10	100	86	85	85	81	76	71	66	86
625	0.00	92	93	93	91	88	81	72	62	92
	1.00	91	92	91	90	87	80	70	60	92
	2.00	89	90	89	89	86	79	69	58	90
	2.70	89	89	88	87	85	80	75	70	89
675	0.00	93	95	94	93	90	84	74	65	94
	1.00	93	94	93	92	90	83	73	63	94
	2.00	91	92	92	91	89	82	72	61	93
	3.15	90	91	89	89	87	82	77	72	91
805	0.00	96	99	98	97	95	90	81	71	99
	1.25	96	98	97	97	95	89	80	70	99
	2.50	95	97	96	96	94	89	78	68	98
	4.00	93	95	94	94	93	87	79	71	96
930	0.00	100	102	102	101	99	95	86	76	103
	2.00	100	101	100	100	98	94	85	74	102
	4.00	98	99	98	98	97	93	83	73	101
	6.00	97	99	97	96	96	91	86	81	100

The sound power level ratings shown are in decibels, referred to 10^{-12} watts, calculated per AMCA International Standard 301. The A-weighted sound ratings shown have been calculated per AMCA International Standard 301. Values shown are for inlet Lwi and inlet LwiA sound power levels for Installation Type B: free inlet, ducted outlet. Values shown are for outlet Lwo and outlet LwoA sound power levels for Installation Type B: free inlet, ducted outlet. Ratings include the effects of duct end correction.

MXI 490 SOUND PERFORMANCE

RPM	"Nom-inal P _s "	INLET SOUND POWER BY OCTAVE BANDS dB Lwi								LwiA
		63	125	250	500	1000	2000	4000	8000	
300	0.00	77	76	76	73	65	55	44	34	73
	0.25	76	73	74	72	64	52	41	30	72
	0.50	78	71	73	72	63	51	39	27	71
	0.75	80	70	71	68	60	50	40	31	68
375	0.00	84	80	80	80	73	63	52	42	80
	0.50	81	78	78	78	72	60	49	37	78
	0.75	83	76	77	78	72	60	48	36	77
	1.15	84	74	75	76	68	58	48	38	75
450	0.00	88	85	84	85	80	70	59	49	85
	0.50	86	83	82	84	79	68	57	46	84
	1.00	86	80	81	83	79	67	55	43	83
	1.70	88	78	79	81	74	64	55	45	80
525	0.00	91	89	88	88	84	75	65	54	89
	0.75	89	87	86	87	83	74	62	51	87
	1.50	90	84	84	85	83	73	61	49	86
	2.30	92	82	82	84	79	70	60	51	84
615	0.00	94	93	91	91	89	81	71	60	93
	1.00	92	91	89	90	88	80	69	57	91
	2.00	90	90	87	88	87	79	67	55	90
	3.15	89	90	85	87	84	76	66	56	88
700	0.00	97	97	94	94	93	86	75	65	96
	1.25	94	95	92	92	92	85	74	62	95
	2.50	93	93	90	91	91	84	72	60	94
	4.00	92	93	88	89	89	81	71	61	92
780	0.00	99	100	96	96	96	90	79	69	99
	1.75	96	97	94	94	95	89	77	66	98
	3.50	95	95	92	93	94	88	76	64	97
	5.13	95	95	90	91	92	84	74	65	94

RPM	"Nom-inal P _s "	OUTLET SOUND POWER BY OCTAVE BANDS dB Lwo								LwoA
		63	125	250	500	1000	2000	4000	8000	
300	0.00	94	80	78	75	68	58	49	40	76
	0.25	92	79	77	74	67	57	46	36	75
	0.50	90	77	76	73	65	55	45	35	74
	0.75	90	75	74	72	66	61	56	51	73
375	0.00	99	85	84	81	75	66	57	47	82
	0.50	97	83	83	80	74	64	54	44	81
	0.75	95	82	82	80	74	63	53	43	80
	1.15	94	80	79	78	73	67	62	56	79
450	0.00	102	89	88	86	82	72	63	54	87
	0.50	101	88	87	85	81	71	61	51	87
	1.00	100	86	86	85	80	70	60	50	86
	1.70	98	84	83	83	78	73	68	63	84
525	0.00	106	92	92	90	86	78	69	59	91
	0.75	105	91	91	89	85	77	67	57	90
	1.50	102	89	89	88	84	76	65	55	89
	2.30	102	88	87	87	83	78	72	67	88
615	0.00	95	96	95	94	90	83	74	65	95
	1.00	94	95	94	93	90	83	73	63	94
	2.00	93	93	93	92	89	82	71	61	93
	3.15	91	92	90	90	87	82	77	72	92
700	0.00	97	99	98	97	94	88	79	69	98
	1.25	96	98	97	96	94	87	77	67	98
	2.50	95	96	96	95	93	86	76	66	97
	4.00	94	95	93	93	91	86	80	74	95
780	0.00	99	101	101	100	97	92	82	73	101
	1.75	98	100	99	99	97	91	81	71	101
	3.50	97	98	97	97	96	90	80	70	99
	5.13	95	98	96	95	94	89	84	79	98

The sound power level ratings shown are in decibels, referred to 10⁻¹² watts, calculated per AMCA International Standard 301. The A-weighted sound ratings shown have been calculated per AMCA International Standard 301. Values shown are for inlet Lwi and inlet LwiA sound power levels for Installation Type B: free inlet, ducted outlet. Values shown are for outlet Lwo and outlet LwoA sound power levels for Installation Type B: free inlet, ducted outlet. Ratings include the effects of duct end correction.

MXI 542 SOUND PERFORMANCE

RPM	"Nom-inal P _s "	INLET SOUND POWER BY OCTAVE BANDS dB Lwi								LwiA
		63	125	250	500	1000	2000	4000	8000	
250	0.00	76	75	75	71	61	51	41	30	71
	0.20	73	73	74	70	60	49	37	26	70
	0.40	71	71	73	69	59	47	35	24	69
	0.60	69	69	71	67	57	47	36	26	67
325	0.00	83	80	81	79	71	61	50	40	79
	0.50	81	77	78	77	69	58	46	34	77
	0.75	83	76	77	77	69	57	45	34	76
	1.00	84	75	76	75	67	56	46	35	75
400	0.00	89	85	85	85	79	68	58	47	85
	0.50	86	83	83	84	78	67	55	44	83
	1.00	87	81	81	83	77	66	54	42	83
	1.65	89	79	79	81	73	63	54	44	80
475	0.00	93	89	89	89	84	75	64	54	89
	0.75	90	87	86	88	84	73	62	50	88
	1.50	91	85	85	87	83	72	60	48	87
	2.30	93	83	83	85	79	69	60	50	85
550	0.00	95	93	92	92	89	80	70	59	93
	1.00	93	91	90	91	88	79	67	56	92
	2.00	94	89	88	89	87	78	66	54	91
	3.10	96	87	86	88	83	75	65	56	88
625	0.00	98	97	95	95	93	85	74	64	96
	1.50	95	94	92	93	91	83	72	60	95
	3.00	93	93	90	91	91	83	71	59	94
	4.00	93	94	89	90	88	79	70	60	91
700	0.00	100	100	97	97	96	89	78	68	99
	1.75	97	97	95	95	95	88	76	65	98
	3.50	96	96	92	94	94	87	75	63	97
	5.00	95	96	91	92	91	83	74	64	94

RPM	"Nom-inal P _s "	OUTLET SOUND POWER BY OCTAVE BANDS dB Lwo								LwoA
		63	125	250	500	1000	2000	4000	8000	
250	0.00	79	79	76	72	64	55	46	36	73
	0.20	78	78	76	72	63	53	43	33	73
	0.40	76	76	75	71	62	52	41	31	72
	0.60	75	74	74	70	63	56	50	43	71
325	0.00	98	84	83	80	73	64	55	46	81
	0.50	97	83	82	79	72	62	51	41	80
	0.75	95	81	81	78	71	61	51	41	79
	1.00	94	80	80	77	71	64	57	50	78
400	0.00	103	89	88	86	81	71	62	53	87
	0.50	102	88	88	85	80	70	60	50	86
	1.00	100	86	86	85	79	69	59	48	85
	1.65	99	84	84	83	78	73	68	63	84
475	0.00	107	93	92	90	86	77	68	59	92
	0.75	106	92	92	90	86	76	66	56	91
	1.50	103	90	90	89	85	75	65	55	90
	2.30	103	88	88	87	83	78	73	67	89
550	0.00	110	96	96	94	90	83	73	64	95
	1.00	109	95	95	93	90	82	72	61	95
	2.00	106	93	93	92	89	80	70	60	94
	3.10	106	92	91	91	87	82	77	72	92
625	0.00	98	99	99	97	94	87	78	68	98
	1.50	97	98	97	96	93	86	76	66	98
	3.00	95	96	95	95	92	85	75	64	96
	4.00	95	95	94	93	91	86	81	76	95
700	0.00	100	102	101	100	97	91	82	72	101
	1.75	99	101	100	99	97	90	80	70	101
	3.50	98	99	98	98	95	89	79	69	99
	5.00	97	98	96	96	94	89	84	79	98

The sound power level ratings shown are in decibels, referred to 10⁻¹² watts, calculated per AMCA International Standard 301. The A-weighted sound ratings shown have been calculated per AMCA International Standard 301. Values shown are for inlet Lwi and inlet LwiA sound power levels for Installation Type B: free inlet, ducted outlet. Values shown are for outlet Lwo and outlet LwoA sound power levels for Installation Type B: free inlet, ducted outlet. Ratings include the effects of duct end correction.

MXI 600 SOUND PERFORMANCE

RPM	"Nom-inal Ps"	INLET SOUND POWER BY OCTAVE BANDS dB Lwi								LwiA
		63	125	250	500	1000	2000	4000	8000	
225	0.00	76	75	76	71	61	50	40	29	72
	0.25	73	73	75	70	59	47	36	24	70
	0.50	70	71	73	69	58	46	34	22	69
	0.63	69	70	72	65	56	46	36	26	67
300	0.00	84	82	82	79	71	61	50	40	79
	0.50	82	79	80	78	70	58	46	35	78
	0.75	84	77	79	78	69	57	45	34	77
	1.15	86	76	77	74	65	56	47	38	74
375	0.00	90	87	87	86	79	69	59	48	86
	0.63	88	84	85	85	78	67	56	44	84
	1.25	89	82	83	84	78	66	54	42	83
	1.75	91	80	81	82	74	64	55	45	81
450	0.00	95	91	90	91	86	76	65	55	91
	0.75	92	89	89	90	85	74	63	52	90
	1.50	92	87	87	89	85	73	61	50	89
	2.50	95	85	85	87	80	71	61	51	87
500	0.00	97	94	93	93	89	80	69	59	94
	1.00	94	91	91	92	88	78	67	56	92
	2.00	95	89	89	91	88	77	65	54	91
	3.15	97	87	87	89	83	74	65	55	89
575	0.00	99	98	96	96	93	85	74	64	97
	1.50	97	95	93	94	92	83	72	60	96
	3.00	99	93	91	93	91	83	71	59	95
	4.00	100	91	90	92	89	80	70	60	93
640	0.00	101	101	98	98	96	89	78	68	100
	1.75	99	98	96	97	95	87	76	65	99
	3.50	97	97	94	95	94	87	75	63	97
	5.13	96	97	92	94	92	83	74	64	95

RPM	"Nom-inal Ps"	OUTLET SOUND POWER BY OCTAVE BANDS dB Lwo								LwoA
		63	125	250	500	1000	2000	4000	8000	
225	0.00	80	79	77	73	64	54	45	36	73
	0.25	78	78	77	72	62	52	42	31	73
	0.50	76	76	75	71	61	51	40	30	71
	0.63	75	75	74	69	64	58	53	48	71
300	0.00	100	86	84	81	74	64	55	46	82
	0.50	98	84	83	80	72	62	52	41	81
	0.75	96	83	82	79	72	61	51	41	80
	1.15	96	81	81	78	73	68	64	59	80
375	0.00	105	91	90	87	82	72	63	54	88
	0.63	103	90	89	87	81	71	61	50	87
	1.25	101	87	87	85	80	69	59	49	86
	1.75	101	86	86	84	79	74	69	63	85
450	0.00	109	95	94	92	88	79	69	60	93
	0.75	108	94	93	92	87	78	68	58	93
	1.50	106	92	92	91	86	76	66	56	92
	2.50	104	90	90	89	84	79	73	68	90
500	0.00	111	97	97	95	91	82	73	64	96
	1.00	110	96	96	94	90	81	71	61	95
	2.00	108	94	94	93	89	80	70	60	94
	3.15	107	93	92	92	87	82	77	73	93
575	0.00	114	100	100	98	95	87	78	69	100
	1.50	113	99	99	98	94	86	76	66	99
	3.00	110	97	97	96	93	85	75	65	97
	4.00	110	96	95	95	92	86	80	74	97
640	0.00	101	103	102	101	98	91	82	72	102
	1.75	101	102	101	100	97	90	80	70	102
	3.50	99	100	99	99	96	89	79	69	100
	5.13	98	99	97	97	95	89	84	79	99

The sound power level ratings shown are in decibels, referred to 10^{-12} watts, calculated per AMCA International Standard 301. The A-weighted sound ratings shown have been calculated per AMCA International Standard 301. Values shown are for inlet Lwi and inlet LwiA sound power levels for Installation Type B: free inlet, ducted outlet. Values shown are for outlet Lwo and outlet LwoA sound power levels for Installation Type B: free inlet, ducted outlet. Ratings include the effects of duct end correction.

MXI 122-AF SOUND PERFORMANCE

RPM	"Nom-inal Ps"	INLET SOUND POWER BY OCTAVE BANDS dB Lwi								LwiA
		63	125	250	500	1000	2000	4000	8000	
1000	0.00	62	64	63	62	59	53	44	35	64
	0.13	62	63	62	60	58	52	43	35	62
	0.25	63	63	60	58	56	50	43	35	60
	0.38	63	63	59	55	53	49	42	36	58
1500	0.00	69	72	73	71	70	66	58	49	74
	0.50	70	72	72	68	67	63	56	48	71
	0.75	71	72	72	67	64	61	55	48	70
	1.00	71	72	72	66	63	60	55	49	69
2000	0.00	75	77	79	78	77	74	68	59	81
	0.50	75	77	78	77	75	73	67	58	80
	1.00	76	78	78	75	73	71	65	58	78
	2.00	77	79	79	74	70	67	63	58	77
2500	0.00	80	81	84	83	82	81	76	67	87
	0.50	80	81	83	83	81	80	75	66	86
	1.50	80	82	83	81	78	77	73	65	84
	3.00	80	83	84	81	75	73	70	65	82
3000	0.00	84	84	87	87	86	85	81	73	91
	1.50	84	85	87	86	84	83	79	72	89
	2.50	84	85	87	86	82	81	77	71	88
	4.00	84	86	87	85	81	78	75	70	87
3525	0.00	88	88	90	91	90	89	86	79	95
	2.00	87	88	90	90	88	87	84	77	93
	4.00	87	89	90	89	86	84	81	76	92
	6.00	88	89	91	90	86	82	79	75	91
4050	0.00	91	91	92	94	93	92	90	84	99
	2.75	90	91	93	93	92	90	88	82	97
	5.50	90	91	93	93	90	87	84	80	95
	8.00	91	92	94	93	90	85	83	79	95

RPM	"Nom-inal Ps"	OUTLET SOUND POWER BY OCTAVE BANDS dB Lwo								LwoA
		63	125	250	500	1000	2000	4000	8000	
1000	0.00	66	67	66	64	61	56	48	41	66
	0.13	65	65	64	62	59	54	47	40	64
	0.25	64	64	62	60	57	52	46	40	62
	0.38	63	63	60	58	55	51	46	41	60
1500	0.00	78	76	76	74	72	68	61	54	77
	0.50	75	73	73	71	68	64	59	52	73
	0.75	75	72	72	69	66	63	58	53	72
	1.00	75	72	72	67	65	62	58	53	71
2000	0.00	88	82	82	81	80	76	71	63	84
	0.50	86	80	80	79	77	74	69	62	82
	1.00	85	79	79	77	75	72	67	61	80
	2.00	87	80	79	75	73	69	66	61	78
2500	0.00	95	86	87	87	85	83	78	71	90
	0.50	94	85	85	85	84	81	76	69	88
	1.50	92	84	84	82	81	78	74	68	86
	3.00	94	85	84	81	78	75	72	67	84
3000	0.00	99	93	91	91	89	87	83	76	94
	1.50	97	91	88	88	87	84	80	74	91
	2.50	96	90	88	86	85	82	79	73	90
	4.00	96	90	88	85	82	80	77	73	88
3525	0.00	103	99	94	94	93	91	88	82	98
	2.00	101	96	91	91	90	89	85	79	95
	4.00	99	95	91	90	88	86	83	78	93
	6.00	101	97	92	90	87	84	81	77	93
4050	0.00	106	103	97	97	97	95	92	86	102
	2.75	103	101	94	94	94	92	89	83	99
	5.50	102	100	94	93	91	89	86	82	97
	8.00	105	102	95	93	90	88	85	81	97

The sound power level ratings shown are in decibels, referred to 10^{-12} watts, calculated per AMCA International Standard 301. The A-weighted sound ratings shown have been calculated per AMCA International Standard 301. Values shown are for inlet Lwi and inlet LwiA sound power levels for Installation Type B: free inlet, ducted outlet. Values shown are for outlet Lwo and outlet LwoA sound power levels for Installation Type B: free inlet, ducted outlet. Ratings include the effects of duct end correction.

MXI 135-AF SOUND PERFORMANCE

RPM	"Nom-inal P _s "	INLET SOUND POWER BY OCTAVE BANDS dB Lwi								LwiA
		63	125	250	500	1000	2000	4000	8000	
1000	0.00	65	67	66	65	63	56	47	38	67
	0.25	66	66	64	62	60	54	46	38	64
	0.38	66	66	63	60	58	53	46	39	62
	0.50	66	66	62	58	56	51	45	39	61
1400	0.00	71	74	74	73	71	67	59	50	76
	0.50	72	73	74	70	68	65	57	49	73
	0.75	72	73	74	68	66	63	56	49	72
	1.00	73	74	74	67	64	61	56	50	70
1800	0.00	76	78	80	79	77	75	68	59	82
	0.75	77	78	79	76	75	72	66	58	80
	1.25	77	79	79	75	72	70	64	57	78
	2.00	78	80	80	74	71	68	64	58	77
2200	0.00	81	81	84	83	82	80	75	66	87
	1.00	80	82	83	82	80	78	73	64	85
	2.00	81	83	83	80	77	75	70	64	83
	3.00	81	84	84	80	75	73	69	64	82
2700	0.00	85	85	88	88	87	86	81	73	92
	1.00	85	86	88	87	85	84	80	72	91
	2.00	85	87	88	86	84	82	78	71	89
	4.50	85	88	89	86	81	78	75	70	88
3100	0.00	88	88	91	91	90	89	85	78	95
	1.75	88	89	90	90	88	87	83	76	94
	3.50	88	89	91	89	86	84	81	75	92
	5.90	88	90	92	90	85	82	79	74	91
3498	0.00	91	91	93	94	93	92	89	82	98
	2.50	90	91	93	93	91	89	87	80	96
	5.00	90	92	93	92	89	86	84	78	95
	7.60	91	93	94	93	89	85	82	78	94

RPM	"Nom-inal P _s "	OUTLET SOUND POWER BY OCTAVE BANDS dB Lwo								LwoA
		63	125	250	500	1000	2000	4000	8000	
1000	0.00	70	70	69	68	64	59	51	44	69
	0.25	67	67	66	64	61	56	49	43	66
	0.38	67	67	64	62	59	55	49	44	64
	0.50	66	67	62	60	58	54	49	44	63
1400	0.00	78	77	77	76	74	69	62	55	78
	0.50	76	74	74	72	70	66	60	53	75
	0.75	76	74	74	70	68	64	59	54	73
	1.00	75	74	74	69	66	63	59	54	72
1800	0.00	87	82	83	82	80	76	70	63	85
	0.75	85	80	80	79	77	73	68	61	81
	1.25	84	79	79	76	74	71	67	61	79
	2.00	87	81	80	76	73	70	66	61	79
2200	0.00	94	87	87	87	85	82	77	70	90
	1.00	92	84	84	84	82	79	74	67	87
	2.00	91	84	84	81	79	76	72	67	84
	3.00	94	86	84	81	79	75	71	67	84
2700	0.00	100	92	92	91	90	88	83	76	95
	1.00	99	91	90	89	88	86	81	75	93
	2.00	97	90	88	87	86	84	80	74	91
	4.50	100	92	89	86	84	81	77	73	89
3100	0.00	103	97	94	95	93	91	87	81	98
	1.75	101	95	92	92	91	89	85	78	96
	3.50	100	94	91	90	88	86	83	77	93
	5.90	102	97	92	90	87	84	81	77	93
3498	0.00	106	101	97	97	96	94	91	85	101
	2.50	103	99	94	94	93	91	88	82	98
	5.00	102	98	94	93	90	88	85	81	96
	7.60	105	101	96	93	90	88	84	80	96

The sound power level ratings shown are in decibels, referred to 10⁻¹² watts, calculated per AMCA International Standard 301. The A-weighted sound ratings shown have been calculated per AMCA International Standard 301. Values shown are for inlet Lwi and inlet LwiA sound power levels for Installation Type B: free inlet, ducted outlet. Values shown are for outlet Lwo and outlet LwoA sound power levels for Installation Type B: free inlet, ducted outlet. Ratings include the effects of duct end correction.

MXI 150-AF SOUND PERFORMANCE

RPM	"Nom-inal Ps"	INLET SOUND POWER BY OCTAVE BANDS dB Lwi								LwiA
		63	125	250	500	1000	2000	4000	8000	
1000	0.00	68	70	69	68	66	60	50	41	70
	0.25	69	69	68	66	64	58	49	41	68
	0.50	69	69	66	63	60	56	49	42	65
	0.75	70	70	65	61	59	55	50	44	64
1350	0.00	73	76	77	75	74	69	61	52	78
	0.50	75	76	76	72	71	67	59	51	76
	1.00	75	76	76	69	68	64	58	51	73
	1.40	76	77	77	69	67	63	58	53	73
1700	0.00	78	80	82	80	79	76	69	60	83
	0.50	79	80	81	79	78	75	68	59	82
	1.50	79	81	81	76	73	71	65	59	79
	2.20	80	82	82	76	72	69	65	60	79
2050	0.00	82	83	86	85	83	81	75	66	88
	1.00	82	84	85	83	81	79	74	65	86
	2.00	82	85	85	82	78	76	72	65	84
	3.20	83	86	86	81	77	74	71	65	84
2450	0.00	86	86	90	89	88	87	82	72	93
	1.50	86	88	89	88	85	84	80	71	91
	3.00	86	88	89	87	82	81	77	70	89
	4.60	86	90	90	87	81	79	76	71	88
2850	0.00	89	90	92	93	91	90	86	78	96
	2.00	89	90	92	91	89	88	84	76	95
	4.00	89	91	92	90	87	85	81	75	93
	6.10	90	92	93	91	86	83	80	75	92
3225	0.00	92	92	94	95	94	93	90	82	99
	2.50	92	93	94	94	92	91	88	81	98
	5.00	92	93	95	93	90	88	85	79	96
	7.90	92	94	96	94	89	86	83	79	95

RPM	"Nom-inal Ps"	OUTLET SOUND POWER BY OCTAVE BANDS dB Lwo								LwoA
		63	125	250	500	1000	2000	4000	8000	
1000	0.00	73	73	73	71	68	62	55	47	72
	0.25	70	70	70	68	65	59	53	46	69
	0.50	70	70	67	65	62	58	52	47	67
	0.75	72	72	67	64	61	57	52	48	66
1350	0.00	80	80	80	78	76	71	64	57	80
	0.50	78	77	77	75	73	68	62	55	77
	1.00	77	76	76	72	69	66	61	56	75
	1.40	80	79	77	72	69	65	61	56	75
1700	0.00	88	84	85	84	82	78	72	64	86
	0.50	87	83	83	82	80	76	70	63	84
	1.50	85	81	81	78	76	72	68	63	81
	2.20	88	83	82	78	75	71	67	63	81
2050	0.00	95	88	89	88	86	83	78	70	91
	1.00	93	86	86	85	84	81	75	68	88
	2.00	92	85	85	83	81	78	74	68	86
	3.20	94	87	86	82	80	76	73	68	85
2450	0.00	101	92	93	92	91	88	83	76	96
	1.50	99	90	90	89	88	85	81	74	93
	3.00	98	89	89	87	85	82	79	73	90
	4.60	101	92	90	87	85	81	78	73	90
2850	0.00	104	97	96	96	95	92	88	81	99
	2.00	102	95	93	93	92	89	85	79	96
	4.00	101	94	93	91	89	86	83	78	94
	6.10	104	97	94	91	88	85	82	77	94
3225	0.00	107	102	98	99	97	95	91	85	102
	2.50	105	99	96	96	95	93	89	83	100
	5.00	104	99	95	94	92	90	86	82	97
	7.90	107	101	97	94	91	88	85	81	97

The sound power level ratings shown are in decibels, referred to 10^{-12} watts, calculated per AMCA International Standard 301. The A-weighted sound ratings shown have been calculated per AMCA International Standard 301. Values shown are for inlet Lwi and inlet LwiA sound power levels for Installation Type B: free inlet, ducted outlet. Values shown are for outlet Lwo and outlet LwoA sound power levels for Installation Type B: free inlet, ducted outlet. Ratings include the effects of duct end correction.

MXI 165-AF SOUND PERFORMANCE

RPM	"Nom-inal Ps"	INLET SOUND POWER BY OCTAVE BANDS dB Lwi								LwiA
		63	125	250	500	1000	2000	4000	8000	
1000	0.00	73	73	71	71	70	66	61	56	74
	0.50	72	72	68	67	67	63	59	56	71
	0.75	72	73	67	65	65	62	58	54	70
	0.85	73	74	67	65	64	61	56	51	69
1300	0.00	79	79	78	75	77	74	68	64	81
	0.50	77	78	76	73	75	72	67	63	79
	1.00	77	78	75	71	73	71	66	63	77
	1.45	78	80	74	70	70	68	64	59	75
1600	0.00	84	83	83	79	82	80	74	69	86
	1.00	81	82	81	77	79	78	72	69	84
	1.75	81	83	81	76	76	76	71	68	82
	2.20	82	84	80	75	75	74	70	65	81
1900	0.00	87	87	87	84	85	84	79	74	90
	1.00	86	86	86	82	83	83	78	74	88
	2.00	85	86	85	81	81	81	77	73	87
	3.10	86	87	85	80	78	78	75	70	85
2200	0.00	90	90	90	88	87	88	84	78	93
	1.50	88	89	89	86	85	86	82	78	92
	3.00	88	89	89	85	83	84	81	77	90
	4.15	89	90	89	85	82	81	79	74	89
2500	0.00	93	93	93	92	89	91	88	82	96
	1.75	91	92	92	90	88	89	86	81	95
	3.50	91	91	92	89	86	87	85	80	93
	5.00	91	92	93	89	85	85	83	78	92
2800	0.00	96	96	95	95	91	94	91	85	99
	2.50	94	94	95	93	89	92	89	84	97
	5.00	94	94	94	92	88	89	88	83	96
	6.75	94	94	96	92	87	87	85	81	95

RPM	"Nom-inal Ps"	OUTLET SOUND POWER BY OCTAVE BANDS dB Lwo								LwoA
		63	125	250	500	1000	2000	4000	8000	
1000	0.00	79	77	76	75	73	68	63	59	77
	0.50	76	74	73	72	69	66	61	57	74
	0.75	76	74	73	70	67	64	60	56	73
	0.85	76	74	73	69	67	64	60	56	72
1300	0.00	88	81	83	81	80	76	71	66	84
	0.50	86	79	81	79	78	74	69	65	82
	1.00	85	78	80	77	75	72	68	64	80
	1.45	86	79	80	76	73	70	67	63	79
1600	0.00	95	86	88	86	85	82	76	72	89
	1.00	92	84	85	83	82	79	75	71	87
	1.75	92	83	85	82	80	77	73	69	85
	2.20	92	84	85	82	79	76	73	69	84
1900	0.00	98	92	92	90	89	86	81	77	94
	1.00	96	90	89	88	87	85	80	76	92
	2.00	95	89	89	87	85	83	79	75	90
	3.10	96	90	89	86	83	80	77	74	89
2200	0.00	102	97	95	94	92	90	86	81	97
	1.50	99	95	92	92	90	88	84	80	95
	3.00	99	94	92	91	88	86	83	78	94
	4.15	99	95	92	90	87	84	81	78	93
2500	0.00	104	102	98	97	95	94	90	84	101
	1.75	102	100	95	95	93	92	88	83	99
	3.50	101	99	95	94	92	90	86	82	97
	5.00	102	99	95	94	90	88	85	81	96
2800	0.00	107	106	97	100	98	97	93	88	103
	2.50	104	103	96	97	96	95	91	86	101
	5.00	104	103	94	97	94	92	89	85	100
	6.75	104	103	95	97	93	90	87	84	99

The sound power level ratings shown are in decibels, referred to 10^{-12} watts, calculated per AMCA International Standard 301. The A-weighted sound ratings shown have been calculated per AMCA International Standard 301. Values shown are for inlet Lwi and inlet LwiA sound power levels for Installation Type B: free inlet, ducted outlet. Values shown are for outlet Lwo and outlet LwoA sound power levels for Installation Type B: free inlet, ducted outlet. Ratings include the effects of duct end correction.

MXI 182-AF SOUND PERFORMANCE

RPM	"Nom-inal Ps"	INLET SOUND POWER BY OCTAVE BANDS dB Lwi								LwiA
		63	125	250	500	1000	2000	4000	8000	
1000	0.00	76	76	74	74	73	69	64	59	77
	0.50	75	75	71	71	71	67	63	59	75
	0.75	75	75	70	69	69	66	62	59	74
	1.00	76	77	70	68	67	64	60	55	72
1250	0.00	81	81	80	77	79	76	70	66	83
	0.75	79	80	77	75	76	74	69	65	80
	1.25	79	80	77	73	74	72	68	65	79
	1.60	80	82	76	72	72	70	66	61	77
1500	0.00	85	85	85	81	84	81	75	71	87
	1.00	83	84	83	78	81	79	74	70	85
	1.75	83	84	82	77	79	77	72	70	84
	2.25	83	86	82	76	77	76	71	67	82
1750	0.00	88	88	88	85	86	85	80	75	91
	1.00	87	87	87	83	85	84	79	74	89
	2.25	86	87	86	82	82	81	77	74	87
	3.20	87	89	86	81	80	79	75	70	86
2000	0.00	91	91	91	89	89	88	84	79	94
	1.50	89	90	90	87	87	87	82	78	92
	3.00	89	90	89	85	84	84	81	77	91
	4.20	90	91	90	85	83	82	79	74	89
2300	0.00	94	94	94	92	91	92	88	83	97
	2.00	92	93	93	90	89	90	87	82	96
	4.00	92	93	93	90	87	88	85	81	94
	5.50	93	94	94	89	86	85	83	78	93
2620	0.00	97	97	97	96	93	95	92	86	101
	2.75	95	95	96	94	91	93	90	85	99
	5.50	95	95	96	93	89	90	89	84	97
	7.20	96	96	97	93	88	88	86	82	96

RPM	"Nom-inal Ps"	OUTLET SOUND POWER BY OCTAVE BANDS dB Lwo								LwoA
		63	125	250	500	1000	2000	4000	8000	
1000	0.00	82	80	79	78	76	71	66	62	80
	0.50	79	77	77	75	73	69	65	61	78
	0.75	79	77	76	74	71	68	64	60	77
	1.00	79	77	76	73	70	67	63	59	75
1250	0.00	90	83	85	83	82	77	72	68	86
	0.75	87	81	82	81	79	75	71	67	84
	1.25	87	80	82	79	77	74	70	66	82
	1.60	87	81	82	78	75	73	69	65	81
1500	0.00	96	87	90	87	86	83	78	73	91
	1.00	93	85	87	85	84	81	76	72	88
	1.75	93	84	87	84	82	79	75	71	87
	2.25	94	84	86	83	80	78	74	70	86
1750	0.00	100	92	93	91	90	87	82	78	95
	1.00	97	90	91	89	88	85	81	77	93
	2.25	97	89	90	88	86	83	79	75	91
	3.20	97	90	90	87	84	81	78	74	90
2000	0.00	102	97	96	94	93	91	86	81	98
	1.50	100	95	93	92	91	89	85	80	96
	3.00	100	94	93	91	89	87	83	79	94
	4.20	100	95	93	91	87	85	82	78	93
2300	0.00	106	102	99	98	96	94	90	85	101
	2.00	103	99	96	96	94	92	89	84	99
	4.00	103	99	96	95	92	90	87	83	98
	5.50	103	99	96	94	91	88	85	82	97
2620	0.00	108	107	102	101	99	98	94	89	105
	2.75	105	104	99	99	97	96	92	88	103
	5.50	105	104	99	98	95	93	90	86	101
	7.20	106	104	99	98	94	91	89	85	100

The sound power level ratings shown are in decibels, referred to 10^{-12} watts, calculated per AMCA International Standard 301. The A-weighted sound ratings shown have been calculated per AMCA International Standard 301. Values shown are for inlet Lwi and inlet LwiA sound power levels for Installation Type B: free inlet, ducted outlet. Values shown are for outlet Lwo and outlet LwoA sound power levels for Installation Type B: free inlet, ducted outlet. Ratings include the effects of duct end correction.

MXI 200-AF SOUND PERFORMANCE

RPM	"Nom-inal P _S "	INLET SOUND POWER BY OCTAVE BANDS dB Lwi								LwiA
		63	125	250	500	1000	2000	4000	8000	
800	0.00	74	74	70	73	71	65	60	56	74
	0.25	73	73	68	71	69	64	60	56	73
	0.50	73	73	67	69	68	63	59	56	72
	0.80	75	75	66	66	65	61	56	51	69
1050	0.00	80	80	78	77	77	73	68	63	81
	0.50	79	79	76	75	76	72	67	63	79
	1.00	79	79	75	73	73	70	66	63	78
	1.39	80	81	74	71	71	68	63	58	76
1300	0.00	85	85	84	81	83	80	74	69	87
	0.75	83	84	82	79	81	78	73	69	85
	1.50	83	84	81	77	78	76	72	69	83
	2.00	84	85	80	76	76	75	70	66	82
1550	0.00	89	88	88	84	87	85	79	74	91
	1.00	87	88	87	83	85	83	78	74	89
	2.00	87	88	86	81	83	82	77	74	88
	3.00	87	89	85	80	80	79	75	70	86
1800	0.00	92	92	92	89	90	89	83	79	94
	1.50	90	91	90	86	88	87	82	78	93
	3.00	90	91	90	85	85	85	81	77	91
	4.00	90	92	90	85	83	82	79	74	89
2065	0.00	95	95	95	92	92	92	88	82	98
	1.75	93	94	93	91	90	90	86	82	96
	3.50	93	93	93	89	88	88	85	81	95
	5.35	93	95	93	89	86	86	83	78	93
2335	0.00	98	97	97	96	94	95	91	86	101
	2.50	96	96	96	94	92	93	90	85	99
	5.00	95	96	96	93	90	91	88	84	97
	6.85	96	97	97	92	89	88	86	82	96

RPM	"Nom-inal P _S "	OUTLET SOUND POWER BY OCTAVE BANDS dB Lwo								LwoA
		63	125	250	500	1000	2000	4000	8000	
800	0.00	77	79	77	76	72	67	63	59	77
	0.25	75	76	75	74	71	66	62	58	76
	0.50	74	76	74	72	69	65	61	57	74
	0.80	74	75	73	69	67	64	60	56	72
1050	0.00	86	83	83	82	80	75	70	66	84
	0.50	84	81	81	80	78	74	69	65	82
	1.00	83	80	80	78	76	72	68	64	81
	1.39	84	81	80	76	74	71	67	63	79
1300	0.00	94	87	89	87	85	81	76	72	90
	0.75	91	85	87	85	83	80	75	71	88
	1.50	91	84	86	83	81	78	74	70	86
	2.00	91	84	86	82	79	77	73	69	85
1550	0.00	100	91	93	91	90	87	81	77	94
	1.00	97	89	91	89	88	85	80	76	93
	2.00	97	88	90	88	86	83	79	75	91
	3.00	97	88	90	87	84	81	78	74	90
1800	0.00	103	96	97	95	93	91	86	81	98
	1.50	100	94	94	92	91	89	84	80	96
	3.00	100	93	93	91	89	87	83	79	94
	4.00	100	94	93	91	88	85	82	78	93
2065	0.00	106	101	100	98	97	94	90	85	102
	1.75	103	99	97	96	95	93	88	84	100
	3.50	103	98	96	95	93	91	87	83	98
	5.35	103	99	96	94	91	88	85	82	97
2335	0.00	109	105	102	101	99	98	93	88	105
	2.50	106	103	100	99	97	96	92	87	103
	5.00	106	102	99	98	95	93	90	86	101
	6.85	106	103	99	98	94	91	89	85	100

The sound power level ratings shown are in decibels, referred to 10⁻¹² watts, calculated per AMCA International Standard 301. The A-weighted sound ratings shown have been calculated per AMCA International Standard 301. Values shown are for inlet Lwi and inlet LwiA sound power levels for Installation Type B: free inlet, ducted outlet. Values shown are for outlet Lwo and outlet LwoA sound power levels for Installation Type B: free inlet, ducted outlet. Ratings include the effects of duct end correction.

MXI 222-AF SOUND PERFORMANCE

RPM	"Nom-inal Ps"	INLET SOUND POWER BY OCTAVE BANDS dB Lwi								LwiA
		63	125	250	500	1000	2000	4000	8000	
600	0.00	71	70	68	69	65	60	55	51	70
	0.15	70	68	66	68	64	59	55	51	69
	0.38	70	67	64	65	62	58	55	52	67
	0.55	71	66	63	62	60	56	51	46	65
850	0.00	79	79	75	77	75	70	65	61	79
	0.50	78	78	73	74	73	68	64	61	77
	0.75	78	78	72	73	72	67	64	61	76
	1.10	79	80	71	70	69	66	61	56	74
1100	0.00	84	84	82	81	82	78	72	68	86
	0.75	83	83	80	79	80	76	71	68	84
	1.25	83	83	79	78	78	75	71	68	82
	1.80	84	85	79	76	76	73	69	64	81
1350	0.00	89	89	89	85	87	84	78	74	91
	1.00	87	88	87	83	85	83	77	73	89
	2.00	87	88	86	81	83	81	76	73	87
	2.85	88	90	85	80	80	78	74	69	85
1600	0.00	93	92	92	89	91	89	83	79	95
	1.50	91	92	90	86	89	87	82	78	93
	3.00	91	91	90	85	86	85	80	77	91
	4.00	91	93	90	84	84	83	79	74	90
1875	0.00	96	96	96	93	94	93	88	83	99
	2.00	94	95	94	91	92	91	87	82	97
	4.00	94	95	94	90	89	89	85	82	95
	5.50	94	96	94	89	87	86	83	78	94
2150	0.00	99	99	99	97	96	96	92	87	102
	2.50	97	98	97	95	94	95	91	86	100
	5.00	97	97	97	94	92	92	89	85	99
	7.20	97	99	98	93	90	90	87	82	97

RPM	"Nom-inal Ps"	OUTLET SOUND POWER BY OCTAVE BANDS dB Lwo								LwoA
		63	125	250	500	1000	2000	4000	8000	
600	0.00	82	75	73	71	67	62	58	54	73
	0.15	80	73	72	70	66	62	58	54	72
	0.38	80	72	70	67	64	60	56	52	70
	0.55	80	72	68	65	63	59	55	51	68
850	0.00	82	83	81	80	77	72	68	64	82
	0.50	80	80	79	78	75	71	67	63	80
	0.75	79	80	78	76	74	70	66	61	79
	1.10	80	80	77	74	72	68	65	61	77
1100	0.00	91	87	88	86	84	80	75	71	89
	0.75	89	85	85	84	82	78	74	70	87
	1.25	88	84	85	83	80	77	73	69	85
	1.80	89	85	84	81	78	75	72	68	84
1350	0.00	99	91	94	91	90	86	81	76	94
	1.00	96	89	91	89	88	84	80	76	92
	2.00	96	88	90	87	85	82	78	74	90
	2.85	96	89	90	86	83	81	77	73	89
1600	0.00	104	95	97	95	94	91	85	81	98
	1.50	101	93	94	93	92	89	84	80	96
	3.00	101	92	94	91	89	87	83	79	95
	4.00	101	93	94	91	88	85	82	78	94
1875	0.00	107	101	101	99	98	95	90	86	102
	2.00	104	99	98	97	96	93	89	85	100
	4.00	104	98	98	96	93	91	87	83	99
	5.50	105	98	97	95	92	89	86	82	98
2150	0.00	110	106	104	102	101	99	94	89	106
	2.50	107	103	101	100	99	97	93	88	104
	5.00	107	103	101	99	97	95	91	87	102
	7.20	108	103	100	99	95	93	90	86	101

The sound power level ratings shown are in decibels, referred to 10^{-12} watts, calculated per AMCA International Standard 301. The A-weighted sound ratings shown have been calculated per AMCA International Standard 301. Values shown are for inlet Lwi and inlet LwiA sound power levels for Installation Type B: free inlet, ducted outlet. Values shown are for outlet Lwo and outlet LwoA sound power levels for Installation Type B: free inlet, ducted outlet. Ratings include the effects of duct end correction.

MXI 245-AF SOUND PERFORMANCE

RPM	"Nom-inal Ps"	INLET SOUND POWER BY OCTAVE BANDS dB Lwi								LwiA
		63	125	250	500	1000	2000	4000	8000	
500	0.00	70	68	68	67	63	58	53	49	68
	0.13	69	66	66	66	62	57	53	49	67
	0.25	68	65	64	65	61	57	53	50	66
	0.45	69	64	62	61	58	54	49	45	63
700	0.00	77	77	73	76	73	67	63	58	77
	0.50	76	77	70	73	71	65	62	59	75
	0.75	77	77	69	71	69	64	61	58	73
	0.90	78	78	69	69	67	63	58	53	72
900	0.00	83	83	80	81	80	75	70	65	83
	0.50	82	82	78	79	78	73	69	65	82
	1.00	82	82	77	77	76	72	69	66	80
	1.50	83	84	76	74	74	70	65	60	78
1100	0.00	87	87	85	84	85	81	75	71	88
	0.75	86	87	83	82	83	79	75	71	87
	1.50	86	86	82	80	81	78	74	71	85
	2.25	87	88	82	79	78	76	71	66	83
1400	0.00	93	92	92	88	91	88	82	78	95
	1.50	91	91	90	86	89	86	81	77	93
	3.00	91	92	90	84	86	84	79	76	91
	3.70	91	93	89	84	84	82	78	73	89
1625	0.00	96	96	96	92	94	92	87	82	98
	1.63	94	95	94	90	92	91	85	81	97
	3.25	94	95	93	89	90	89	84	81	95
	5.00	94	97	93	88	87	86	82	77	93
1950	0.00	100	100	100	97	97	97	92	87	102
	2.50	98	99	98	95	95	95	91	86	101
	5.00	98	98	98	94	93	93	89	86	99
	7.20	98	100	98	93	91	90	87	82	98

RPM	"Nom-inal Ps"	OUTLET SOUND POWER BY OCTAVE BANDS dB Lwo								LwoA
		63	125	250	500	1000	2000	4000	8000	
500	0.00	81	73	72	69	65	60	56	52	71
	0.13	79	72	70	68	64	59	55	51	70
	0.25	78	71	69	67	63	59	54	50	69
	0.45	79	70	67	64	61	57	53	49	67
700	0.00	79	82	80	79	75	70	65	61	80
	0.50	77	79	77	75	72	68	64	60	77
	0.75	76	79	76	73	71	67	63	58	76
	0.90	77	79	75	72	70	66	62	58	75
900	0.00	87	87	86	85	82	77	72	68	87
	0.50	85	85	84	83	80	76	71	67	85
	1.00	84	84	83	81	78	74	70	66	83
	1.50	85	84	82	79	76	73	69	65	82
1100	0.00	94	90	91	89	87	83	78	74	92
	0.75	92	88	89	87	85	81	77	73	90
	1.50	91	87	88	85	83	80	76	72	88
	2.25	92	88	87	84	81	78	75	71	87
1400	0.00	103	94	97	95	94	90	85	80	98
	1.50	100	92	94	92	91	88	83	79	96
	3.00	100	91	94	91	88	86	82	78	94
	3.70	100	92	94	90	87	84	81	77	93
1625	0.00	107	99	101	98	97	94	89	85	102
	1.63	104	97	98	96	95	92	88	84	100
	3.25	104	96	97	95	93	91	87	82	98
	5.00	104	96	97	94	91	88	85	81	97
1950	0.00	111	105	104	103	101	99	94	90	106
	2.50	108	103	102	101	99	97	93	89	104
	5.00	108	102	101	100	97	95	91	87	103
	7.20	108	103	101	99	96	93	90	86	102

The sound power level ratings shown are in decibels, referred to 10^{-12} watts, calculated per AMCA International Standard 301. The A-weighted sound ratings shown have been calculated per AMCA International Standard 301. Values shown are for inlet Lwi and inlet LwiA sound power levels for Installation Type B: free inlet, ducted outlet. Values shown are for outlet Lwo and outlet LwoA sound power levels for Installation Type B: free inlet, ducted outlet. Ratings include the effects of duct end correction.

MXI 270-AF SOUND PERFORMANCE

RPM	"Nom-inal Ps"	INLET SOUND POWER BY OCTAVE BANDS dB Lwi								LwiA
		63	125	250	500	1000	2000	4000	8000	
500	0.00	73	70	70	70	66	61	56	52	71
	0.15	72	69	69	69	65	60	56	52	70
	0.35	71	68	67	67	63	59	56	53	69
	0.55	72	67	65	64	61	57	52	47	66
700	0.00	80	80	76	79	76	70	66	61	80
	0.25	80	80	75	78	75	69	65	61	79
	0.75	79	80	73	75	73	68	65	62	77
	1.10	81	81	72	72	70	66	61	56	75
900	0.00	86	86	83	84	83	78	73	68	86
	0.75	85	85	80	81	81	76	72	68	85
	1.25	85	85	79	80	79	75	71	69	83
	1.80	86	87	79	77	77	73	69	64	81
1100	0.00	90	90	88	87	88	84	78	74	91
	1.00	89	89	86	85	86	82	77	74	90
	2.00	89	89	85	83	84	81	77	74	88
	2.75	90	91	85	82	81	79	74	69	86
1275	0.00	93	93	92	90	91	88	82	78	95
	1.50	92	93	90	88	89	86	81	78	93
	3.00	92	93	89	85	86	84	80	77	91
	3.70	93	94	89	85	85	83	78	73	90
1475	0.00	97	96	96	92	95	93	87	82	99
	1.63	95	96	95	90	93	91	86	82	97
	3.25	95	96	94	89	91	89	84	81	96
	5.00	95	98	93	88	88	87	82	77	94
1680	0.00	100	99	99	96	98	96	90	86	102
	2.38	98	98	97	94	95	94	89	85	100
	4.75	97	98	97	92	93	92	88	85	98
	6.50	98	100	97	92	91	90	86	81	97

RPM	"Nom-inal Ps"	OUTLET SOUND POWER BY OCTAVE BANDS dB Lwo								LwoA
		63	125	250	500	1000	2000	4000	8000	
500	0.00	84	76	75	72	68	63	59	55	74
	0.15	82	75	73	71	67	62	58	54	73
	0.35	81	73	71	69	65	61	57	53	71
	0.55	82	73	69	67	64	60	56	52	69
700	0.00	82	85	82	81	78	73	68	64	83
	0.25	81	83	81	80	77	72	68	64	82
	0.75	80	82	79	77	74	70	66	62	80
	1.10	80	82	78	75	73	69	65	61	78
900	0.00	90	90	89	87	85	80	75	71	89
	0.75	88	87	86	85	83	78	74	70	87
	1.25	87	87	86	83	81	77	73	69	86
	1.80	88	87	85	82	79	76	72	68	85
1100	0.00	97	93	94	92	90	86	81	77	95
	1.00	95	91	92	90	88	84	80	76	93
	2.00	94	90	91	88	86	83	78	74	91
	2.75	95	91	90	87	84	81	78	74	90
1275	0.00	102	96	98	95	94	90	85	81	98
	1.50	100	94	95	93	92	88	84	80	96
	3.00	100	93	94	91	89	86	82	78	94
	3.70	100	93	94	91	88	85	82	78	94
1475	0.00	108	98	101	99	98	94	89	85	102
	1.63	105	97	99	97	96	93	88	84	101
	3.25	105	96	98	96	94	91	87	83	99
	5.00	105	96	98	95	91	89	86	82	97
1680	0.00	111	103	104	102	101	98	93	88	106
	2.38	108	101	101	100	99	96	91	87	104
	4.75	108	100	101	99	96	94	90	86	102
	6.50	108	100	101	98	95	92	89	85	101

The sound power level ratings shown are in decibels, referred to 10^{-12} watts, calculated per AMCA International Standard 301. The A-weighted sound ratings shown have been calculated per AMCA International Standard 301. Values shown are for inlet Lwi and inlet LwiA sound power levels for Installation Type B: free inlet, ducted outlet. Values shown are for outlet Lwo and outlet LwoA sound power levels for Installation Type B: free inlet, ducted outlet. Ratings include the effects of duct end correction.

MXI 300-AF SOUND PERFORMANCE

RPM	"Nom-inal Ps"	INLET SOUND POWER BY OCTAVE BANDS dB Lwi								LwiA
		63	125	250	500	1000	2000	4000	8000	
500	0.00	76	74	74	74	69	64	59	55	74
	0.25	75	72	72	72	68	63	59	56	73
	0.50	74	71	70	70	66	62	59	57	71
	0.70	75	70	68	67	64	59	54	49	69
700	0.00	83	83	80	82	79	73	69	64	83
	0.50	83	83	78	80	78	72	68	65	82
	1.00	83	83	76	77	76	71	68	65	80
	1.35	84	84	75	75	74	69	65	60	78
900	0.00	89	89	86	87	86	81	76	72	90
	0.75	88	88	84	85	84	80	75	71	88
	1.50	88	88	83	83	82	78	75	72	87
	2.30	90	90	82	80	80	76	71	66	84
1050	0.00	92	92	90	90	90	85	80	76	93
	1.00	91	92	88	88	88	84	80	76	92
	2.00	91	92	87	86	86	83	79	76	90
	3.10	92	93	86	84	83	81	76	71	88
1150	0.00	94	94	93	91	92	88	83	78	96
	1.50	93	94	90	89	90	87	82	78	94
	3.00	93	94	90	87	87	85	81	78	92
	3.75	94	96	89	86	85	83	78	73	90
1325	0.00	98	97	97	94	96	93	87	82	99
	1.63	96	97	95	92	94	91	86	82	98
	3.25	96	97	94	90	92	90	85	82	96
	4.95	96	99	93	89	89	87	83	78	94
1498	0.00	100	100	100	96	99	96	90	86	103
	2.38	98	99	98	94	97	95	89	85	101
	4.75	98	99	98	92	94	93	88	85	99
	6.35	99	101	97	92	92	90	86	81	97

RPM	"Nom-inal Ps"	OUTLET SOUND POWER BY OCTAVE BANDS dB Lwo								LwoA
		63	125	250	500	1000	2000	4000	8000	
500	0.00	88	80	78	76	71	66	62	58	77
	0.25	85	77	76	74	70	65	61	58	76
	0.50	85	76	74	72	68	64	60	56	74
	0.70	85	76	73	70	67	63	59	55	73
700	0.00	86	88	86	85	81	76	72	67	86
	0.50	84	86	84	83	79	75	71	67	84
	1.00	83	85	82	80	77	73	69	65	83
	1.35	83	85	81	78	76	72	68	64	81
900	0.00	93	93	92	91	88	83	79	74	93
	0.75	91	91	90	89	86	82	78	74	91
	1.50	90	90	89	87	84	80	76	72	89
	2.30	91	90	88	85	82	79	75	71	88
1050	0.00	99	96	96	94	92	88	83	79	97
	1.00	97	94	94	92	90	86	82	78	95
	2.00	96	93	93	91	88	85	81	77	93
	3.10	96	93	92	89	86	83	79	76	92
1150	0.00	102	97	98	96	94	90	85	81	99
	1.50	99	95	96	94	92	89	84	80	97
	3.00	99	94	95	92	90	87	83	78	95
	3.75	100	95	95	91	88	85	82	78	94
1325	0.00	107	100	102	100	98	94	89	85	103
	1.63	105	98	100	98	96	93	88	84	101
	3.25	104	97	99	96	94	91	87	83	99
	4.95	105	97	98	95	92	89	86	82	98
1498	0.00	111	102	105	102	102	98	93	88	106
	2.38	108	100	102	100	99	96	91	88	104
	4.75	109	99	102	99	97	94	90	86	102
	6.35	109	100	102	98	95	92	89	85	101

The sound power level ratings shown are in decibels, referred to 10^{-12} watts, calculated per AMCA International Standard 301. The A-weighted sound ratings shown have been calculated per AMCA International Standard 301. Values shown are for inlet Lwi and inlet LwiA sound power levels for Installation Type B: free inlet, ducted outlet. Values shown are for outlet Lwo and outlet LwoA sound power levels for Installation Type B: free inlet, ducted outlet. Ratings include the effects of duct end correction.

MXI 330-AF SOUND PERFORMANCE

RPM	"Nom-inal Ps"	INLET SOUND POWER BY OCTAVE BANDS dB Lwi								LwiA
		63	125	250	500	1000	2000	4000	8000	
500	0.00	79	77	77	76	72	67	62	58	77
	0.25	78	75	75	75	71	66	62	58	76
	0.50	77	74	73	73	70	65	62	59	75
	0.85	78	73	71	70	67	62	57	52	72
600	0.00	83	82	80	81	77	72	67	63	82
	0.50	82	79	78	79	76	71	67	63	80
	1.00	82	79	75	76	74	69	66	64	78
	1.20	83	78	75	74	72	68	63	58	77
700	0.00	86	86	82	85	82	76	72	67	86
	0.60	86	86	80	83	81	75	71	68	85
	1.20	85	86	79	80	79	74	71	68	83
	1.60	87	87	78	78	77	72	68	63	81
800	0.00	89	89	85	88	86	80	75	71	90
	1.00	88	89	83	85	84	79	75	71	88
	1.50	88	89	82	83	82	78	75	72	87
	2.20	90	91	81	81	80	76	71	66	84
900	0.00	92	92	89	90	89	84	79	74	93
	1.00	91	91	87	88	87	82	78	74	91
	2.00	91	91	85	85	85	81	78	75	89
	2.75	92	93	85	83	83	79	74	69	87
1150	0.00	97	97	96	94	95	91	86	81	99
	1.63	96	97	94	92	93	90	85	81	97
	3.25	96	96	93	90	91	88	84	81	95
	4.55	97	98	92	89	88	86	81	76	93
1405	0.00	102	102	102	98	100	97	91	87	104
	2.38	100	101	100	96	98	96	90	86	102
	4.75	100	101	99	94	96	94	89	86	100
	6.80	100	102	98	93	93	91	87	82	98

RPM	"Nom-inal Ps"	OUTLET SOUND POWER BY OCTAVE BANDS dB Lwo								LwoA
		63	125	250	500	1000	2000	4000	8000	
500	0.00	90	82	81	79	74	69	65	61	80
	0.25	88	81	79	77	73	68	64	60	79
	0.50	88	80	78	75	72	67	63	59	77
	0.85	88	79	75	73	70	66	62	58	75
600	0.00	94	87	85	83	79	74	70	66	85
	0.50	91	84	83	81	78	73	69	65	83
	1.00	92	84	81	79	76	72	67	63	81
	1.20	92	84	80	77	75	71	67	63	80
700	0.00	89	91	89	88	84	79	74	70	89
	0.60	87	89	87	86	82	77	74	70	87
	1.20	86	88	85	83	80	76	72	68	85
	1.60	86	88	84	81	79	75	71	67	84
800	0.00	92	94	92	91	88	82	78	74	93
	1.00	90	91	89	88	85	81	77	73	90
	1.50	89	91	89	87	84	80	76	72	89
	2.20	90	91	88	85	82	79	75	71	88
900	0.00	96	96	95	94	91	86	81	77	96
	1.00	94	94	93	92	89	85	80	76	94
	2.00	93	93	91	89	87	83	79	75	92
	2.75	94	93	91	88	85	82	78	74	91
1150	0.00	105	100	101	99	97	93	88	84	102
	1.63	102	98	99	97	95	92	87	83	100
	3.25	102	97	98	95	93	90	86	82	98
	4.55	102	98	97	94	91	88	85	81	97
1405	0.00	112	104	106	104	103	99	94	90	107
	2.38	109	102	104	102	101	97	93	89	105
	4.75	109	101	103	100	98	96	91	87	104
	6.80	109	101	103	99	96	94	90	86	102

The sound power level ratings shown are in decibels, referred to 10^{-12} watts, calculated per AMCA International Standard 301. The A-weighted sound ratings shown have been calculated per AMCA International Standard 301. Values shown are for inlet Lwi and inlet LwiA sound power levels for Installation Type B: free inlet, ducted outlet. Values shown are for outlet Lwo and outlet LwoA sound power levels for Installation Type B: free inlet, ducted outlet. Ratings include the effects of duct end correction.

MXI 365-AF SOUND PERFORMANCE

RPM	"Nom-inal Ps"	INLET SOUND POWER BY OCTAVE BANDS dB Lwi								LwiA
		63	125	250	500	1000	2000	4000	8000	
500	0.00	82	80	80	79	75	70	65	61	80
	0.25	81	78	78	78	74	69	65	61	79
	0.75	80	77	75	76	72	68	65	63	77
	1.00	81	76	74	73	70	66	61	57	75
575	0.00	85	84	82	83	79	74	69	65	84
	0.50	84	82	80	81	78	73	69	65	83
	1.00	84	81	78	79	76	72	69	66	81
	1.35	85	80	77	77	74	70	65	60	79
650	0.00	88	87	84	86	83	77	73	68	87
	0.75	87	85	82	84	81	76	72	69	86
	1.25	87	84	80	82	80	75	72	69	84
	1.75	88	84	79	79	77	73	68	63	82
725	0.00	90	90	86	89	86	80	76	71	90
	0.75	90	90	84	87	85	79	75	72	89
	1.50	89	89	83	85	83	78	75	72	87
	2.20	91	91	82	82	80	76	71	66	85
820	0.00	93	93	89	91	90	84	79	75	93
	1.00	92	92	87	89	88	83	79	75	92
	2.00	92	92	86	87	86	81	78	75	90
	2.80	94	94	85	84	83	80	75	70	88
1050	0.00	98	98	96	96	96	91	86	82	99
	1.75	97	98	94	93	94	90	85	82	98
	3.50	97	98	93	91	91	88	84	82	96
	4.60	98	99	92	90	89	86	82	77	94
1280	0.00	103	103	102	99	101	97	92	87	104
	2.50	101	102	100	97	99	96	91	87	103
	5.00	101	102	99	95	96	94	90	87	101
	6.90	102	104	98	94	94	92	88	82	99

RPM	"Nom-inal Ps"	OUTLET SOUND POWER BY OCTAVE BANDS dB Lwo								LwoA
		63	125	250	500	1000	2000	4000	8000	
500	0.00	94	86	84	82	77	72	68	64	83
	0.25	92	84	83	80	76	72	68	64	82
	0.75	91	82	80	78	74	70	66	62	80
	1.00	91	82	79	76	73	69	65	61	79
575	0.00	97	89	87	85	81	76	72	68	87
	0.50	94	87	85	83	80	75	71	67	85
	1.00	94	86	83	81	78	74	70	65	83
	1.35	94	85	82	79	77	73	69	65	82
650	0.00	99	92	90	89	85	80	75	71	90
	0.75	96	89	88	86	83	78	74	70	88
	1.25	96	89	86	84	81	77	73	69	87
	1.75	97	89	85	82	80	76	72	68	85
725	0.00	92	95	92	92	88	83	78	74	93
	0.75	90	93	91	90	86	82	78	74	91
	1.50	89	92	89	87	85	80	76	72	90
	2.20	90	92	88	85	83	79	75	71	88
820	0.00	96	97	96	95	91	86	82	78	96
	1.00	94	95	94	93	90	85	81	77	95
	2.00	93	94	92	90	88	84	79	75	93
	2.80	94	94	92	88	86	83	79	75	91
1050	0.00	105	102	102	100	98	94	89	85	103
	1.75	102	99	99	98	96	92	88	84	101
	3.50	102	99	98	96	94	90	86	82	99
	4.60	102	99	98	95	92	89	85	82	98
1280	0.00	112	105	107	105	103	99	94	90	108
	2.50	109	103	104	103	101	98	93	89	106
	5.00	109	102	104	101	99	96	92	88	104
	6.90	109	103	103	100	97	94	91	87	103

The sound power level ratings shown are in decibels, referred to 10^{-12} watts, calculated per AMCA International Standard 301. The A-weighted sound ratings shown have been calculated per AMCA International Standard 301. Values shown are for inlet Lwi and inlet LwiA sound power levels for Installation Type B: free inlet, ducted outlet. Values shown are for outlet Lwo and outlet LwoA sound power levels for Installation Type B: free inlet, ducted outlet. Ratings include the effects of duct end correction.

MXI 402-AF SOUND PERFORMANCE

RPM	"Nom-inal Ps"	INLET SOUND POWER BY OCTAVE BANDS dB Lwi								LwiA
		63	125	250	500	1000	2000	4000	8000	
500	0.00	85	83	83	82	78	73	68	64	83
	0.50	83	80	80	80	76	72	68	64	82
	1.00	83	79	78	78	75	71	68	66	80
	1.25	84	79	77	76	73	68	64	59	78
575	0.00	88	87	85	86	82	77	72	68	87
	0.50	87	85	83	84	81	76	72	68	86
	1.00	87	84	82	83	80	75	72	69	84
	1.65	88	83	80	79	77	73	68	63	82
625	0.00	90	89	87	88	85	79	75	70	89
	0.75	89	87	84	86	83	78	74	71	88
	1.50	89	86	82	83	81	77	74	71	86
	2.00	90	85	81	81	79	75	69	64	84
675	0.00	92	92	88	90	87	81	77	72	91
	0.75	91	91	86	88	86	80	76	73	90
	1.50	91	91	84	86	84	79	76	73	88
	2.30	92	93	83	83	81	77	72	67	86
750	0.00	94	94	90	93	90	84	80	75	94
	1.00	93	93	88	91	89	83	79	75	93
	2.00	93	93	86	88	87	82	79	76	91
	2.85	95	95	85	85	84	80	75	70	89
915	0.00	98	98	95	96	95	90	85	81	99
	1.25	97	98	94	94	94	89	85	81	98
	2.50	97	97	92	93	92	88	84	81	96
	4.25	99	99	91	90	89	86	81	76	94
1080	0.00	102	102	100	99	99	95	90	86	103
	2.25	101	101	98	97	98	94	89	85	101
	4.50	101	101	97	95	95	92	88	85	99
	5.95	102	103	96	93	93	90	86	80	98

RPM	"Nom-inal Ps"	OUTLET SOUND POWER BY OCTAVE BANDS dB Lwo								LwoA
		63	125	250	500	1000	2000	4000	8000	
500	0.00	96	88	87	85	80	75	71	67	86
	0.50	93	86	85	83	78	74	70	66	84
	1.00	94	85	82	80	77	73	68	64	82
	1.25	94	85	82	79	76	72	68	64	81
575	0.00	100	92	90	88	84	79	75	71	90
	0.50	97	90	89	87	83	78	74	70	88
	1.00	97	89	87	85	81	77	73	69	87
	1.65	97	88	85	82	79	76	72	68	85
625	0.00	101	94	92	91	87	82	77	73	92
	0.75	98	92	90	89	85	80	76	72	90
	1.50	98	91	88	86	83	79	75	70	88
	2.00	99	91	87	84	81	78	74	70	87
675	0.00	103	96	94	93	89	84	79	75	94
	0.75	100	94	92	91	87	83	79	75	93
	1.50	100	93	91	89	86	81	77	73	91
	2.30	100	93	89	86	84	80	76	72	89
750	0.00	96	99	96	95	92	87	82	78	97
	1.00	94	96	94	93	90	85	81	78	95
	2.00	93	96	93	91	88	84	80	76	93
	2.85	94	95	92	89	86	83	79	75	92
915	0.00	103	102	101	100	97	92	88	84	102
	1.25	101	100	100	98	96	91	87	83	101
	2.50	100	99	98	97	94	90	86	82	99
	4.25	100	99	97	94	91	88	85	81	97
1080	0.00	109	105	105	104	102	97	92	88	106
	2.25	106	103	103	102	100	96	91	87	104
	4.50	106	102	102	100	97	94	90	86	102
	5.95	106	102	102	98	96	93	89	85	101

The sound power level ratings shown are in decibels, referred to 10^{-12} watts, calculated per AMCA International Standard 301. The A-weighted sound ratings shown have been calculated per AMCA International Standard 301. Values shown are for inlet Lwi and inlet LwiA sound power levels for Installation Type B: free inlet, ducted outlet. Values shown are for outlet Lwo and outlet LwoA sound power levels for Installation Type B: free inlet, ducted outlet. Ratings include the effects of duct end correction.

MXI 445-AF SOUND PERFORMANCE

RPM	"Nom-inal Ps"	INLET SOUND POWER BY OCTAVE BANDS dB Lwi								LwiA
		63	125	250	500	1000	2000	4000	8000	
400	0.00	84	80	82	80	74	70	65	61	81
	0.50	82	77	79	77	72	69	65	62	79
	0.75	82	76	77	76	71	68	66	63	78
	1.00	82	75	75	74	70	65	60	54	75
475	0.00	87	84	85	84	79	74	70	66	85
	0.50	86	82	83	82	78	74	70	66	84
	1.00	85	81	81	80	77	73	70	67	82
	1.40	86	80	79	78	75	70	65	60	80
550	0.00	91	88	87	88	84	78	74	70	89
	0.75	89	86	85	86	82	78	74	70	87
	1.50	89	85	83	83	80	76	74	71	85
	1.85	89	85	82	81	79	74	69	64	84
625	0.00	93	92	90	91	88	82	78	73	92
	1.00	92	90	87	89	86	81	77	74	91
	2.00	92	89	85	86	84	79	76	73	88
	2.40	93	88	85	84	82	78	73	68	87
675	0.00	95	95	91	93	90	84	80	75	94
	1.00	94	94	89	91	89	83	79	76	93
	2.00	94	94	87	89	87	82	79	76	91
	2.85	95	96	86	86	84	80	75	70	89
805	0.00	99	99	95	97	95	89	85	80	99
	1.25	98	98	93	95	94	88	84	80	98
	2.50	98	98	92	93	92	87	84	81	96
	4.00	99	100	91	90	89	85	80	75	94
930	0.00	102	102	99	100	99	94	89	84	102
	2.00	101	101	97	97	97	92	88	84	101
	4.00	101	101	95	95	95	91	87	85	99
	5.40	102	103	95	93	92	89	84	79	97

RPM	"Nom-inal Ps"	OUTLET SOUND POWER BY OCTAVE BANDS dB Lwo								LwoA
		63	125	250	500	1000	2000	4000	8000	
400	0.00	95	86	85	82	76	72	68	64	83
	0.50	92	83	82	79	75	71	67	63	81
	0.75	92	82	80	78	74	70	65	61	80
	1.00	92	82	79	76	73	69	65	61	79
475	0.00	98	90	89	86	82	77	73	69	88
	0.50	96	88	87	84	80	76	72	68	86
	1.00	96	87	85	82	79	75	70	66	84
	1.40	96	86	83	80	77	74	70	66	83
550	0.00	102	94	92	90	86	81	77	73	92
	0.75	99	91	90	88	84	80	76	72	90
	1.50	99	91	88	86	82	78	74	70	88
	1.85	99	90	87	84	81	78	74	70	87
625	0.00	104	97	95	94	90	85	80	76	95
	1.00	101	95	93	91	88	83	79	75	93
	2.00	102	94	91	89	86	82	78	73	91
	2.40	102	94	90	87	85	81	77	73	90
675	0.00	106	99	97	96	92	87	83	78	97
	1.00	103	97	95	94	90	86	82	78	96
	2.00	103	96	93	91	88	84	80	76	94
	2.85	104	96	92	89	87	83	79	75	92
805	0.00	101	103	101	100	97	92	87	83	102
	1.25	100	101	99	98	95	91	87	83	100
	2.50	99	100	98	96	94	89	85	81	99
	4.00	99	100	97	94	91	88	84	80	97
930	0.00	106	106	105	103	101	96	91	87	106
	2.00	104	103	103	101	99	95	90	86	104
	4.00	103	102	101	99	97	93	89	85	102
	5.40	104	103	101	98	95	92	88	84	101

The sound power level ratings shown are in decibels, referred to 10^{-12} watts, calculated per AMCA International Standard 301. The A-weighted sound ratings shown have been calculated per AMCA International Standard 301. Values shown are for inlet Lwi and inlet LwiA sound power levels for Installation Type B: free inlet, ducted outlet. Values shown are for outlet Lwo and outlet LwoA sound power levels for Installation Type B: free inlet, ducted outlet. Ratings include the effects of duct end correction.

PENNBARRYPRODUCTSOLUTIONS



Commercial

- Roof & wall exhaust centrifugal fans
- Ceiling, wall, & inline centrifugal fans
- Roof supply centrifugal fans
- Square & round centrifugal fans
- Wall mounted axial fans
- Hooded roof axial fans
- Upblast roof axial fans
- Gravity ventilators
- Roof curbs



Industrial

- Freestanding centrifugal fans
- Industrial & material handling fans
- Tubular centrifugal inline fans
- Mixed flow centrifugal fans
- Plug & plenum fans
- Wall mounted propeller fans
- Tube axial fans
- Vane axial fans
- Bifurcator fans
- Lab exhaust



Kitchen ventilation

- Make-up air units
- Exhaust fans



Energy recovery

- Outdoor units
- Indoor units

PennBarry is proud to be your preferred manufacturer of commercial and industrial fans and blowers. Learn how PennBarry can assist you in your next application by contacting your PennBarry Representative or visiting us on the web at www.pennbarry.com

PennBarry | www.pennbarry.com | pennbarrysales@pennbarry.com | Tel 972 212 4700 | Fax 972 212 4702

PennBarry reserves the right to make changes at any time, without notice, to models, construction, specifications, options and availability. This document illustrates the appearance of PennBarry products at the time of publication. View the latest updates on the PennBarry website.

© 2021 PennBarry. All rights reserved. MXI MARCH 2021



PENNBARRY™